

The EQS



EQS





A New Form for a new time.



[Click here to experience.](#)



First of a new age.



From Another Star.

*Please read the disclaimer



Turning point.



Sustainability

Sustainable Production.



Production in Factory 56

The roof of Factory 56, EQS's production facility, is equipped with photovoltaic modules. These cover around 30% of the factory's energy needs on an annual average. All in all, the energy requirement of Factory 56 is 25% lower than that of other assembly buildings.

Sustainable Materials.



Raw materials from certified mining

Mercedes-Benz looks at the entire value chain, from development and the supplier network to its own production. Responsibly mined and processed raw materials provide the foundation for a sustainable Mercedes-Benz electric vehicle fleet

Sustainable Mobility.



Pure Electric with pure emotions

Locally emission-free driving pleasure, virtually silent with full access to inner city zones.



E-Motor & Battery

*Please read the disclaimer



Dual 385 kW permanently synchronous electric motors

Smooth, quiet and rich in torque, the EQS 580 is powered by dual electric motors with 385 kW total output. They can distribute up to 516 hp and 855 Nm of torque to all four wheels. The “permanently excited synchronous motors” (PSMs) feature permanent magnets to generate AC current with high power density and efficiency. An advanced cooling system helps assure maintain their high-performance consistency during spirited driving and a wide range of climates.

Lithium-ion battery with 857 Km range

The EQS 580 has a lithium-ion battery with up to 12 cell modules and pouch or hardcase cells. Thanks to the 107.8 kWh capacity, sufficient energy can be provided for ranges of up to 857 kilometres according to ARAI*. The innovative battery management software, which was developed in-house, allows updates over the air (OTA). This keeps the energy management of the EQS 580 up-to-date.



Range as per ARAI. The WLTP Range is up to 677 km*.

4MATIC all-wheel drive

Vehement power immediately from a standstill: permanently excited synchronous machines (PSM) on both front and rear axle convert electrical energy into mechanical energy and deliver impressive acceleration. The opening strategy of the drive system components always provides the power wherever it is needed at any one moment - efficiently and virtually silently.





Gearshift Paddle

In any season, on any road, 4MATIC® all-wheel drive adds to your confidence and control. In the EQS, the dual electric motors allow its 4MATIC system to infinitely vary the torque distribution between the front and rear axles. Continually monitoring for wheel slip and other parameters, the system can quickly reappportion the torque in response to changing driving conditions. And since the function is a built-in benefit of the dual motors, it adds virtually no weight to the vehicle.

Intelligent Energy Recovery with paddles

Paddles on the steering wheel let you vary the intensity of energy recuperated by deceleration and braking during normal driving. The default “D Auto” setting can activate the intelligent ECO Assist feature. Three levels of recuperation are also selectable, from none (effectively coasting when you let off the driving pedal) to Normal to Increased, which can allow one-pedal driving.





Design



Click here to experience.

All-electric architecture

The EQS is the first model based on a dedicated platform whose architecture is dedicated to luxury-class electric vehicles. As a clean-sheet design not shared with any gasoline-powered model, its packaging, materials, aesthetics and safety systems are optimized not only to support its advanced all-electric powertrain, but to take advantage of the benefits electric power offers for quiet comfort, ample space and innovative design.



“One bow” design

The “sensual purity” of the EQS design is rooted in its all-electric architecture, but comes to life on every surface. Cab-forward proportions and a sloping fastback expand cabin space, while the long wheelbase with 4-wheel steering pair luxurious room with nimble handling. The “one bow” design stretches the bodywork over the cabin in a taut, coupelike silhouette, while the Black Panel front and full-width front and rear lightbars evoke elegance with a futuristic voice.



Advanced aerodynamics

An additional benefit of the purpose-built design of the EQS is the achievement of aerodynamics that inspire the entire industry, not just the luxury sedan segment. Streamlining, seam sealing and minimization, wheel design, tire spoilers ahead of each wheel, highly smooth underbody paneling, a standard rear lip spoiler, and self-lowering air suspension add up to enhance quiet comfort, stable handling, driving range and efficiency.

Radiator grille with Mercedes-Benz pattern

Your assurance of an impressive appearance: The Black Panel radiator grille of the your vehicle features finely drawn Mercedes stars. Especially when viewed up close, this confirms your attention to detail.





Panorama roof

Offering both front- and rear-seat passengers sweeping skyward views, this fully functional glass sunroof features a front panel that can either tilt up for ventilation or slide over the rear panel for an open-air feeling. Dual interior power shades with controls allow the driver and each rear passenger to adjust the amount of sunlight entering the cabin.



Light band with LED lamps in 3D helix design

The highlight at the rear are the innovatively designed LED lamps: Their insides have the shape of a curved and illuminated 3D helix. As at the front, the EQS also has a continuous light band at the rear - a distinguishing feature of Mercedes-EQ vehicles.

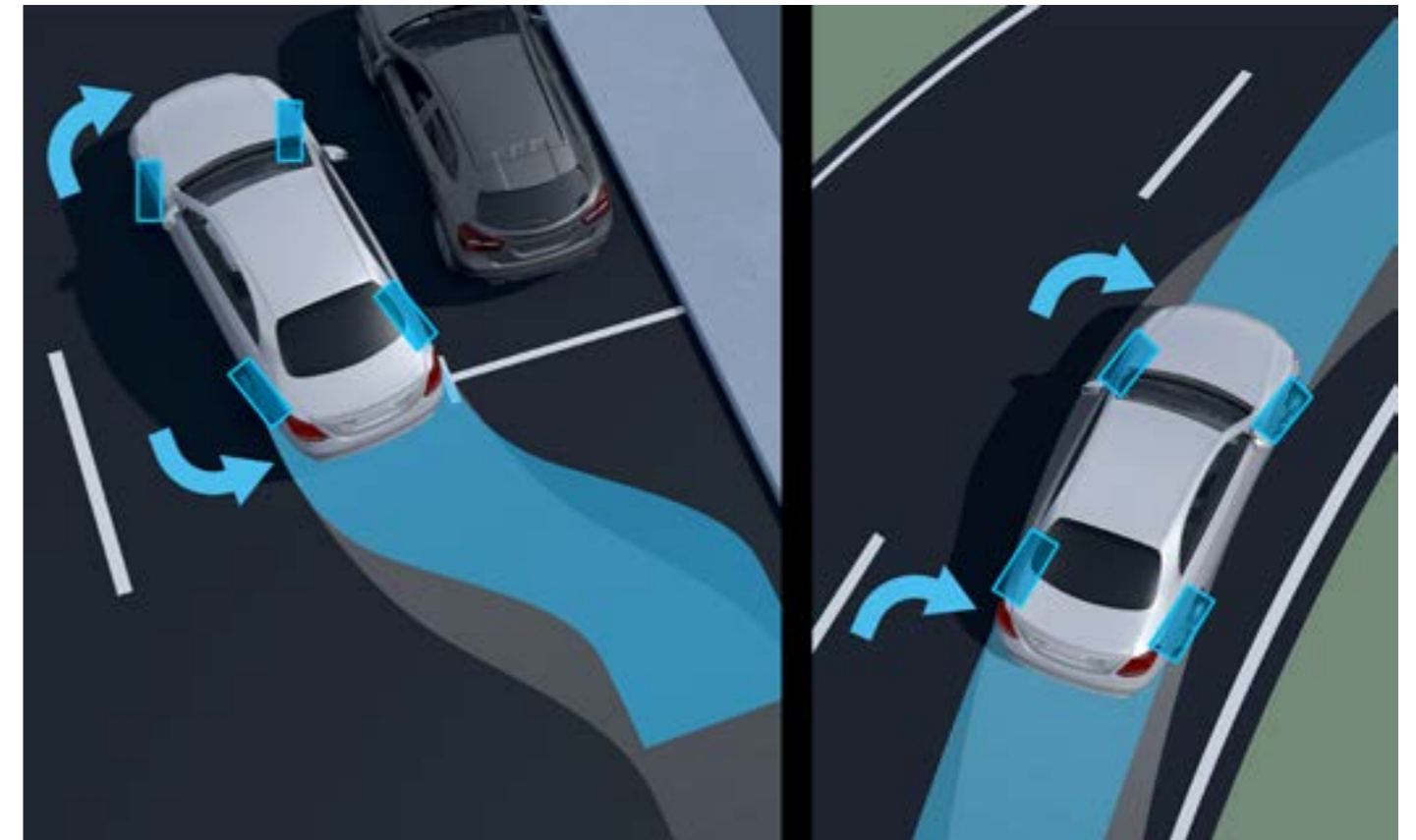
Digital Lights

The revolutionary DIGITAL LIGHT headlamp technology (optional extra) enables innovative functions such as the projection of auxiliary markings or warning symbols onto the road surface. DIGITAL LIGHT has a light module with three extremely powerful LEDs in each headlamp, whose light is refracted and directed by 1.3 million micro-mirrors. The resolution is therefore more than 2.6 million pixels per vehicle.



DYNAMIC SELECT

Drive as you want to. DYNAMIC SELECT provides you with a choice between the ECO, COMFORT, SPORT and INDIVIDUAL drive programs. SPORT mode mobilizes the vehement power of the electric motor in an even livelier way. Regardless of the drive program, you can set the braking energy recovery rate via the steering wheel gearshift paddles.



Rear axle steering

The rear-axle steering with 10° steering angle adjustment offers you three advantages at once: even more effortlessly superior roadholding, significantly increased agility and, last but not least, better manoeuvrability when parking, for example. For this, the rear wheels steer in the opposite or the same direction as the front wheels depending on the vehicle speed.

Electric Art interior

With the Electric Art interior, you perceive the progressive luxury in every fibre. Attractive comfort seats with elegant contour lighting invite you to take your place behind the multifunction steering wheel in nappa leather. You also have a choice of different color concepts which are stylishly presented by the ambience lighting.

- Multifunction steering wheel in nappa leather with galvanized steering wheel shift paddles in silver chrome
- Comfort seats with lumbar support, comfort head restraints in the front and contour lighting in ARTICO man-made leather in black / space grey
- Ambient lighting
- Black trim in a finely-structured look
- Door sill panels with “Mercedes-Benz” lettering
- Velor floor mats





Multifunction steering wheel in nappa leather

The multifunction steering wheel in nappa leather combines fine materials with innovative ease of operation. Via the Touch Control panels, you operate the key vehicle functions without having to take your hands off the steering wheel.

Folding rear seat backrests

Your vehicle can be transformed into a mini van without further ado. For your shopping trip or weekend getaway, the rear-seat backrests split in a 40/20/40 ratio. Doubly practical: if you fold down only the middle segment for longer items, the two outer seats remain unrestricted. You benefit from some astonishing transport options. When fully folded down, the backrests transform the rear into a large load area for significantly increased capacity.





Luxury head restraints

More comfort for driver and front passenger. The head restraints, which feature height and longitudinal adjustment, can be aligned to suit your desired seat position – irrespective of your stature. With the luxury head restraints your rear seat passengers enjoy first-class seating comfort on every trip. The strain is taken off the head and neck and they are supported thanks to the individually adjustable side bolsters. The high-quality upholstery helps to ensure a tangible sense of comfort and visible exclusivity.



Rear Seat package Plus

Transform the rear passenger compartment of your vehicle into a connected feel-good lounge. The seating comfort is impressive thanks to electrically adjustable backrests and seat climate control. The intelligent control option via the MBUX rear tablet in the comfort armrest is also an exciting feature.

- Electrically adjustable rear seats including side airbags in the rear
- Luxury head restraints in the rear
- MBUX rear tablet
- Seat climate control for rear seats
- Comfort arm rest in the rear
- Wireless charging system for mobile devices in the rear
- Split-folding rear seat backrests in the ratio 40:60
- Seat cushion length extension by 50 mm
- MBUX Interior Assistant in the rear
- Adaptive rear compartment lighting



Vehicle key

Vehicle key in black with ornamental surround in rose gold.

Velor floor mats

The velor floor mats further enhance your interior. They are provided in the respective appointments color with matching edging, thus ensuring that they blend perfectly into the interior design. In addition, the mats protect the footwell against dirt – they can be removed very rapidly to be vacuumed or cleaned.





Luxury



Click here to experience.



Ventilated front seats

Ventilated seats are a luxury you'll soon consider a necessity. Three levels of heating and cooling ventilation are offered. By gently circulating air through perforations in the seat and backrest, ventilated seats help keep you cooler and your clothes drier during warmer months. Reversible fans help draw heat away for brief periods. On cold or damp days, using both the ventilation and heating together can circulate the seat heating more quickly, to help keep you warm and dry.

Multicontour front seats

Tailor-made and designed to pamper: These seats combine a host of adjustment options with exclusive feel-good extras. Ergonomic details enable you to adopt a perfect seating position. Innovative side bolsters ensure strong lateral support. The pleasant massage effects, some with gratifying warmth, make every journey a treat.



Memory package

With the Memory Package, you can store and select up to 3 different seat positions. In addition, the positions of the steering wheel, exterior mirrors and the optional head-up display are stored. If you have created a user profile, you must activate this on the central display in order to call up your settings.



Active ambient lighting

With the active ambient lighting, you are experiencing a technological leap. It combines aesthetics with innovative driver information and extended functions. Wraparound light strips and trim elements amalgamate to form an additional lighting level. This also supports driving assistance systems visually, thus emphasizing the intelligence of your vehicle.

Interior light package

More light, more atmosphere, better orientation: the Interior Light package provides more comprehensive direct and indirect illumination. The additional light sources create a pleasant atmosphere and make operation easier.

- Footwell lamps in the front
- LED lamp in the center console stowage compartment
- Illuminated door handle recesses
- Illuminated vanity mirror
- Angle lamp in the front/rear doors

Adaptive rear compartment lighting

No matter whether you are reading a book or working on your laptop: You can adjust the brightness and colour temperature of the interior light to suit your taste and sensibilities. You can also direct individual LED spotlights to your preferred position. Twinkling adaptive rear light strips complement the light functions and increase the light quality.





KEYLESS-GO Comfort package

Maximum comfort for your day-to-day motoring: With the KEYLESS-GO Convenience Package, you can start and lock your vehicle simply by having the key on your person. The HANDS-FREE ACCESS function allows contactless, fully automatic opening and closing of the tailgate.

Burmester® 3D surround Sound system

Experience greater audio performance with exquisite Burmester® sound. The high-quality speakers achieve impressive surround sound. You can specifically optimise this for the front and rear seats to intensify the listening experience. In addition the specially designed Sound Experience reinforces your electric driving experience in the interior.





Climatised seats - Front and Rear

The climatized seat system ventilates the front seats and cools them down, thus also controlling humidity. Crispness on hot days - warmth on cold days. This is how the advantages of the climate-controlled rear seats can be summed up. The passengers on the outer seats in the second seat row enjoy the same pleasant seating climate as the driver and front passenger. This makes riding in the rear even more comfortable.

Electrically adjustable Rear seats

With the Front Memory Package you can store and conveniently select up to three different seat positions. These can be linked to user profile so that the seat setting is done as per the pre-set profile using NTG 7. Additionally, the positions of the steering wheel and outside mirrors. If you have created a user profile, you must activate this in the central display in order to call up your personal settings.



Wireless charging system for mobile devices in the front and rear

Driving time becomes charging time – just drop your smartphone into its allotted place in the oddments tray for wireless charging. Irrespective of the model and brand, compatible smartphones are charged wirelessly.

Seat heating / Seat heating +

Pleasant warmth for high seating and travel comfort after just a very short time. In cooler weather or as required, seat heating Plus very quickly brings the seat cushions and backrests up to a pleasant temperature. Three levels of intensity can be selected. Intelligent: the intensity of the seat heating is reduced automatically.



Illuminated door sill panels with “Mercedes-Benz” lettering

Even getting in and out becomes an experience in itself. As part of this, the high-quality stainless-steel sill panels are illuminated with striking “Mercedes-Benz” lettering. This shows that you value modern luxury.



HEPA filter against airborne pollutants

Unfortunately, have to stay outside, says the EQS to fine dust, microparticles, pollen and other substances. This is because its HEPA filter (High Efficiency Particulate Air) cleans the incoming outside air at its very high filtration level. In recirculation mode, the air is filtered by the cabin air filter of the automatic climate control system. Sulphur dioxide and nitrogen oxides as well as odours are also reduced thanks to the activated charcoal coating on the HEPA filter and the cabin filter. The HEPA filter is part of the optional equipment ENERGIZING AIR CONTROL Plus and uses the space under the front bonnet of the EQS.



EASY-PACK tailgate

Extremely practical: the EASY-PACK tailgate can be opened and closed electrically and makes loading and unloading the boot even more convenient. You can start the opening and closing process very conveniently at the press of a button and interrupt it at any time by pressing the button again.

ENERGIZING AIR CONTROL Plus

A must-have, not just for allergy sufferers: a HEPA filter effectively helps to reduce air pollution. In addition, the ENERGIZING AIR CONTROL Plus monitors the air quality both inside and outside the vehicle and shows you the result in MBUX. Depending on the measurement value, your Mercedes switches automatically between fresh air and air recirculation mode.

- Air quality sensor plus a fine particle sensor (PM2.5) on both the outside and inside
- Filter system in the vehicle's front-end assembly comprising
 - Coarse prefilter against coarse dust, snow, leaves, etc.
 - HEPA fine particle filter of class H13 based on activated charcoal against the finest particulates such as pollen
- Broad-spectrum interior air filter in the air conditioning unit based on activated charcoal with filter layers against fine particles (PM2.5) and nitrogen dioxides (NOx) or sulfur dioxides (SO₂), certain viruses are reduced directly at the filter
- Antibacterial effect reduces the growth of fungi and bacteria on the interior air filter
- Automatic switching between air recirculation or fresh air mode depending on the measured air quality, taking into account the overall control system for climate comfort
- Air quality menu in the MBUX multimedia system to visualize the measurement values



Premium package

This package upgrades your EQS to the top equipment level – in addition to the features in the Advanced and Advanced Plus packages. For example the panoramic sliding sunroof lets more light or a fresh breeze into the vehicle interior. The package is rounded off by the outstanding quality of the Burmester® surround sound system and the useful head-up display.

components

- Panoramic sliding sunroof
- Burmester® surround sound system
- Head up display
- THERMOTRONIC automatic climate control
- Driving Assistance Plus Package
- Parking Package with 360° camera
- DIGITAL LIGHT
- Stowage compartment under the center console
- Door sill panels with “Mercedes-Benz” lettering, illuminated



EASY-PACK load compartment cover

Protect your luggage from the sun and prying eyes: the EASY-PACK load compartment cover comprises of a retractable cover which is fitted behind the rear seats. You can remove this at any time and store it in the compartment provided beneath the load compartment floor.



Charging cable for wallbox and public charging station, 5 m, straight

This charging cable, also called a Mode 3 cable, enables the vehicle battery to be charged via the wallbox or at public charging stations at up to 11 kW (Type 2, 3-phase, 16 A).



Technology



Click here to experience.



The widest widescreen. Zero layers deep.

Multiple screens unify under a single 56-inch span of high-tech glass. The MBUX Hyperscreen uses artificial intelligence to bring features and commands to the surface on the go, with a “zero-layer” menu concept for unmatched ease of use.

The new MBUX (Mercedes-Benz User Experience)

The MBUX system proactively displays the right functions at the right time for the user, supported by artificial intelligence. The context-sensitive awareness is constantly optimised, both by changes in the surroundings and by user behaviour. The so-called zero layer offers the user dynamic, 3 displays seamlessly blend together beneath a glass panel, creating one large hyperscreen. Bright OLED displays with haptic feedback and the innovative zero-layer interface create a particularly comfortable user experience.



Smartphone Integration

Smartphone integration wirelessly connects the mobile phone to the multimedia system via Apple CarPlay and Android Auto. This gives you convenient access to the most important apps on your smartphone. You can also use apps from third-party providers such as Spotify quickly and easily.



Hard-disc navigation

Save time thanks to fast hard disk navigation with flexible options for entries via touch control or voice input. The 3D displays of points of interest, for example, are also a visual delight. The intelligent system guides you reliably to your destination using both local and up-to-date online information.



OLED display

The 12.3-inch OLED display for the front passenger gives them their own display and control area, making journeys more enjoyable and entertaining. Also, Mercedes relies on an intelligent, camera-based locking logic: if the camera detects that the driver is looking in the direction of the front passenger display, it is automatically dimmed when certain content is displayed. Further, if the front passenger seat is not occupied, the screen becomes a digital decorative image. The customer can choose from various decorative images, including a starry sky, i.e. the Mercedes-Benz pattern.

The central and front passenger displays provide haptic feedback. When a finger touches certain spots on the touch screen, actuators (eight in the central display, four in the front passenger display) trigger a perceptible vibration of the cover glass. The user thus feels pulses on the smooth surface, which give the impression of a mechanical switch.

Online music streaming with millions of songs to choose from

With the “Online Music” service, Mercedes-Benz has now fully integrated the major music streaming services into the MBUX infotainment system. MBUX enables access to the personal user profile at the linked music providers. This allows customers to access their favourite songs and playlists seamlessly and discover millions of songs and curated playlists.



MBUX Interior Assistant

Using cameras in the overhead control panel and learning algorithms, the MBUX Interior Assistant recognises and anticipates the wishes and intentions of the occupants. It does this by interpreting head direction, hand movements and body language, and responds with corresponding vehicle functions.



Sound personalisation

A tailor-made listening experience: with the personalisation of the sound system you can easily achieve your perfect sound setup. A setup assistant with innovative algorithms identifies your music preferences together with you and sets the Burmester® sound system to match your requirements. It stores the result in a personal profile.

Head-up display

Ideal prospects for sporty driving pleasure and a superior driving experience: The head-up display transforms your windscreen into a digital cockpit. With the virtual, full-colour image, you always have a direct view of key information. Your full attention remains on the road and the traffic conditions in front of you.



Biometric authentication

You can personalize up to 800 vehicle settings, from music programming to seat comfort, and save them in any of seven user profiles. Features can even be set up via the Mercedes me connect mobile app, when you're away from the car. Your Mercedes me connect PIN identifies your profile, or you can use a built-in fingerprint reader below the central touchscreen. The system can also recognize your voice and your face. Profiles can even be used in multiple cars.



Over-the-air software updates

More than 50 electronic features can be updated over the air via Mercedes me connect, with no need for a dealer visit. These include MBUX, displays and the driver assistance systems. It's also one way the "Hey, Mercedes" voice control can learn new phrases. The system is even equipped to accommodate new features that may be developed in the future, helping your Mercedes-Benz remain at the forefront of innovation down the road.



MBUX rear tablet

Lean back comfortably and yet retain control with the MBUX rear-seat tablet. Like with a remote control, you can access the MBUX multimedia system for example and control comfort equipment. With the full-fledged 7-inch tablet, you can also use the internet or Android apps.

Raising vehicle height

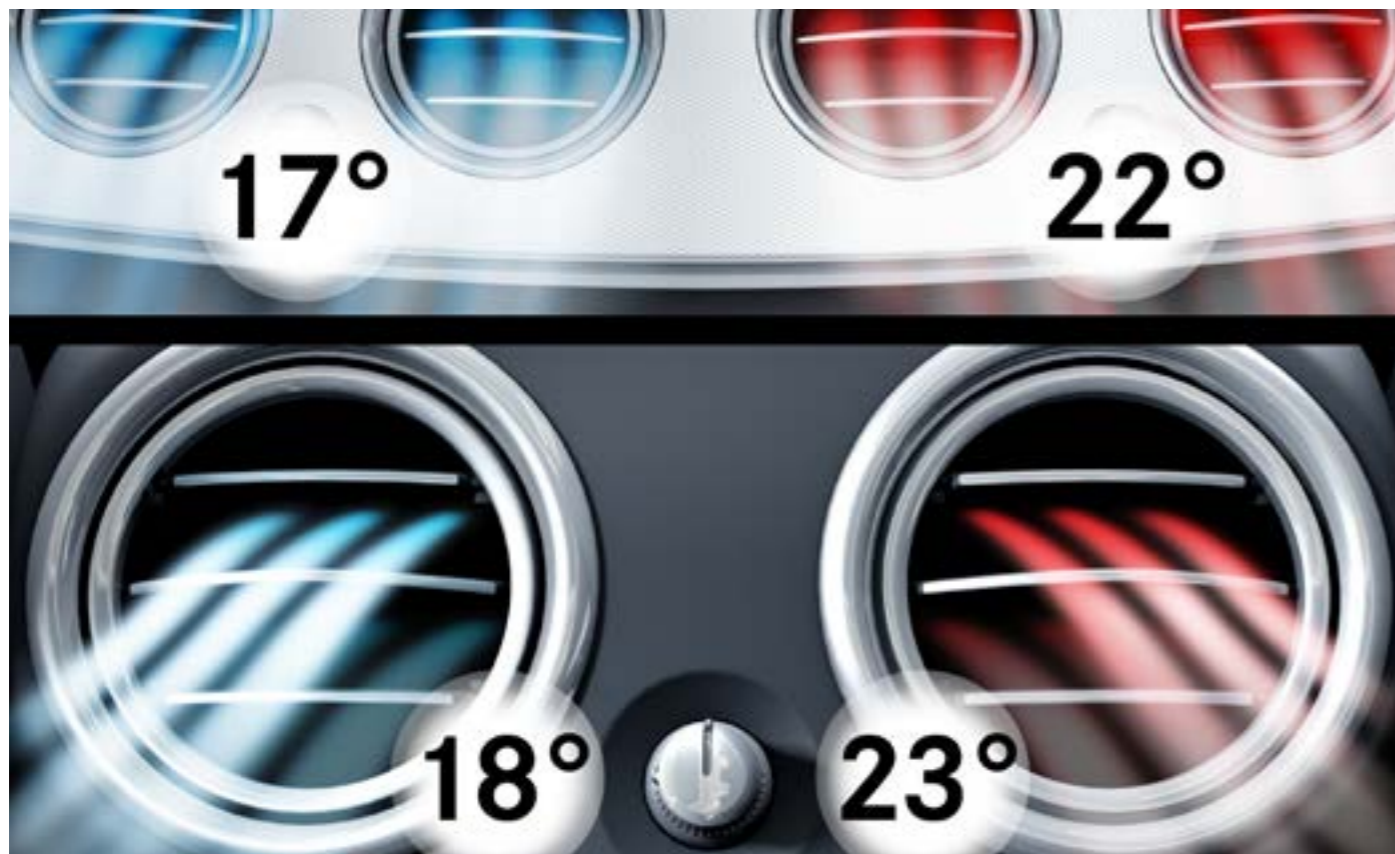
The standard AIRMATIC air suspension responds particularly sensitively. It combines air suspension bellows with adaptive ADS+ dampers whose characteristics can be fully automatically varied at each individual wheel, in both the compression and rebound stages. It keeps the ground clearance constant irrespective of the vehicle load, but also makes changes. Up to 40 km/h the body can be raised by 25 mm at the touch of a button, giving your additional clearance to tackle road abnormalities. Above 50 km/h, it is automatically lowered back to normal level.



On-board Games

Now kill those boring times while standing in a traffic signal with entertaining games. Your Hyperscreen is equipped with games such as Tetris, Sudoku, Pairs and Shuffle Puck and play them in multiplayer mode on the front passenger display or the screens in rear. Several available games can be downloaded with Over-The-Air (OTA) update as and when they are available.



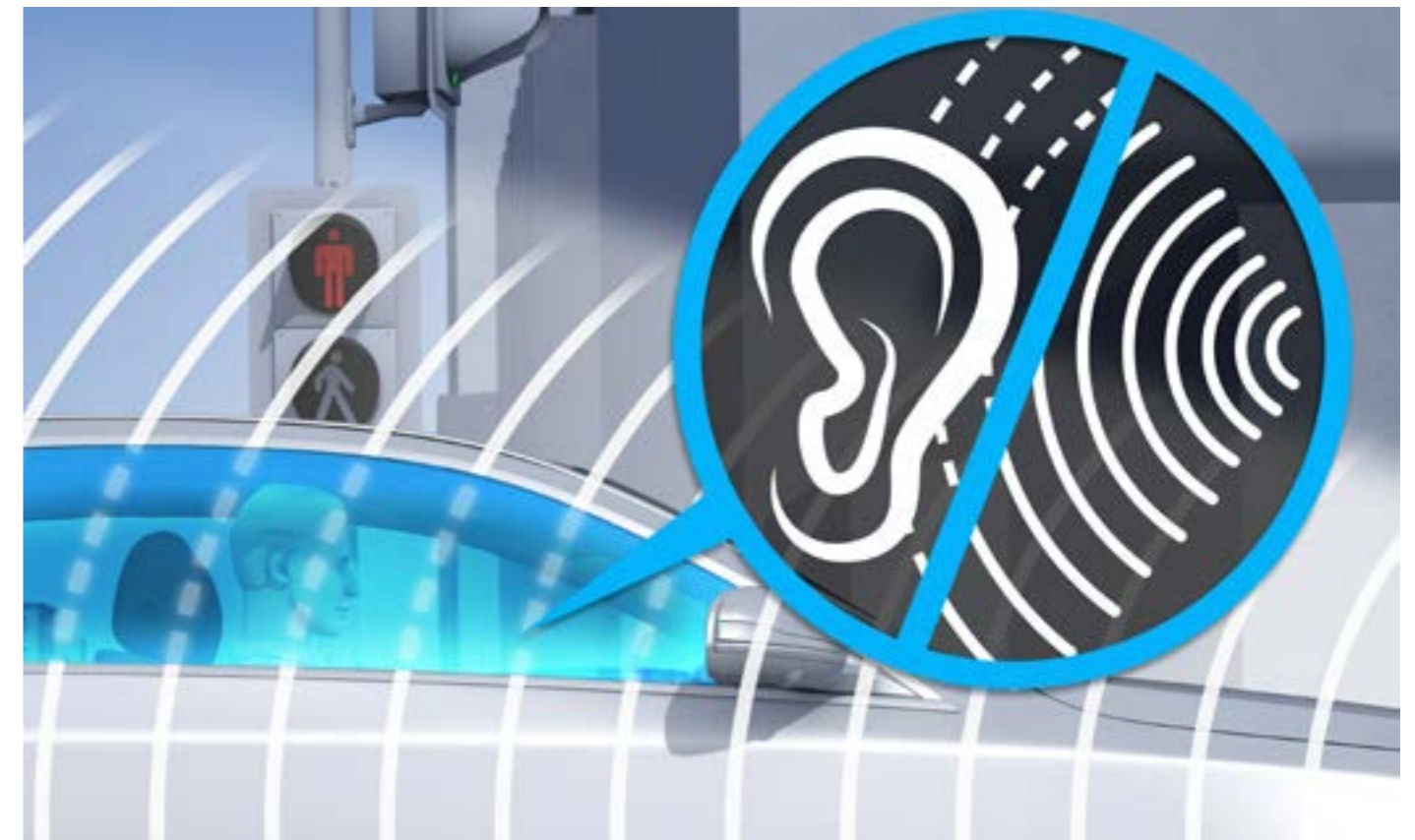


THERMOTRONIC automatic climate control

The THERMOTRONIC automatic climate control system with 4 climate zones provides an individual feel-good climate on board. The driver and front passenger are able to set the temperature and air distribution to suit their personal needs. The climate control settings can be stored in user profiles.

Acoustic comfort

Thanks to extensive sound insulation measures, the level of noise comfort in the interior is outstanding. A quiet interior is ensured by e.g. special acoustic foam insulation and particularly low-vibration suspension components.





AIR BALANCE package

The AIR-BALANCE Package provides an individual fragrance in the interior - matching your preference and mood. Thanks to refreshing ionisation of the inside air, it contributes to improved air quality on board and an increased sense of well-being.

The intensity of the fragrancing can be controlled according to your wishes. The fragrance is discreet, given off gently and rapidly dissipated after switching off. The smell of the vehicle interior is not permanently changed, nor are the perfume molecules of the Mercedes-Benz room fragrances deposited on interior fabric surfaces or your clothing. You can charge the fragrance generator in the glove compartment with room fragrances from the Mercedes-Benz Customer Solutions range. The AIR-BALANCE Package comes with a fragrance matching the character of your vehicle. The AIR-BALANCE Package also ionises the interior air. It does this by enriching the air with negative oxygen ions.

Components

- Fragrance generator with filled fragrance flask in the glove compartment
- Ioniser in the side air duct on the driver's side



Mercedes me connect allows drivers to stay in touch with their vehicles from anywhere in the world and to obtain assistance at the touch of a button.

Mercedes me

Vehicle Monitoring

Vehicle Tracker: Track your vehicle from anywhere, as your vehicle's GPS coordinates are seen on your phone App.

Parked Vehicle Locator: It can locate your parked vehicle within a radius of 1.5 kilometres and show you on a map how to make your way back to the vehicle.

Navigation Connectivity package

The combination of the standard-fit communication module (LTE) and the hard-disc navigation makes sure that you always reach your destination as quickly as possible by the best route.

Vehicle Set-Up

Remote Retrieval of Vehicle Status: Information on Mercedes me App or the Mercedes me Portal.

Remote Door Locking and Unlocking: You can conveniently remotely lock or unlock your vehicle from the Mercedes me App.

Speed Alert: Receive an alert if your vehicle exceeds a certain speed.

Send2Car function: Send your address to your vehicle via an app.

Remote Engine Start

Mercedes-Benz emergency call system

The Mercedes-Benz emergency call system can save you vital minutes in an emergency. If an accident is detected, a communications module with its own SIM card automatically triggers an emergency call which could shorten the time until rescue services arrive.

Please note that certain services are offered free of cost for a period of three (03) years and may be chargeable at the expiry of three (03) years from the date of activation of such services. If you wish to continue using those services, you may renew the same through Mercedes Me Store (as and when it is available). Please get in touch with your preferred Franchise Partner for more details.

Mercedes *me*

Vehicle Finder (enables horn and light flashing)

Find your vehicle in large parking lots with ease. Simply blow the horn or flash the headlamps through the app to locate your vehicle

Mercedes me Service app: Your digital assistant

Keep a tab on your Star's maintenance with ease. Get timely maintenance and service reminders. Book a service appointment and search for nearest showrooms with a single touch.

What's more, access expert tips to keep your Star in its best shape with car care videos.

Geo-fencing

Set a perimeter for the car movement and receive notifications in case of vehicle movement beyond the parameter. Hence the feature enables easy monitoring when vehicle is being driven by others.

Windows/sunroof open close from App

Open/Close the windows and sunroof of your Mercedes-Benz remotely through the app. This enables better ventilation before you get into the car.



Mercedes me

New Mercedes me connect feature: Car-to-X Communication

Drive with foresight and safely thanks to networked information. Sometimes, when driving, an uneven surface suddenly appears behind a curve and you can barely prevent a jerk. Everyone has probably already experienced confusing situations of this kind - a great risk in road traffic. Thanks to Car-to-X Communication, you can see such dangers coming and react in good time. Vehicles equipped with the technology communicate with each other, so that on the one hand information is transmitted to your vehicle and on the other hand you also inform other drivers yourself. You will be warned by marking on the navigation map and, if necessary, by an announcement. In this way you will reach your destination safely - without nasty surprises.

Please note that certain services are offered free of cost for a period of three (03) years and may be chargeable at the expiry of three (03) years from the date of activation of such services. If you wish to continue using those services, you may renew the same through Mercedes Me Store (as and when it is available). Please get in touch with your preferred Franchise Partner for more details.



Mercedes me

Additional Mercedes me connect features

Alexa Home Integration with Mercedes me

connect: Conversations with Alexa are now more fun when the systems connect with your Mercedes Benz via cloud and give you real time updates. This feature can be used from an Alexa Echo device setup at home, office or also from phone's Alexa App. The command starts with "Alexa, Ask Mercedes to..." or directly initiate a command by saying "Alexa, tell Mercedes to <command>".

Google Home integration with Mercedes me connect: Google Home integration is also offered for Google home users. In a similar way, once the Mercedes me connect is linked to Google Home, you can start issuing commands.

Parking location POIs (Points of Interest): The introduction of new Parking solution, shows Parking lots available across different parts of the cities. The Parking POIs (Points of interest) can be seen easily on the navigation system or alternatively also on the Mercedes me App maps section.

Please note that certain services are offered free of cost for a period of three (03) years and may be chargeable at the expiry of three (03) years from the date of activation of such services. If you wish to continue using those services, you may renew the same through Mercedes Me Store (as and when it is available). Please get in touch with your preferred Franchise Partner for more details.

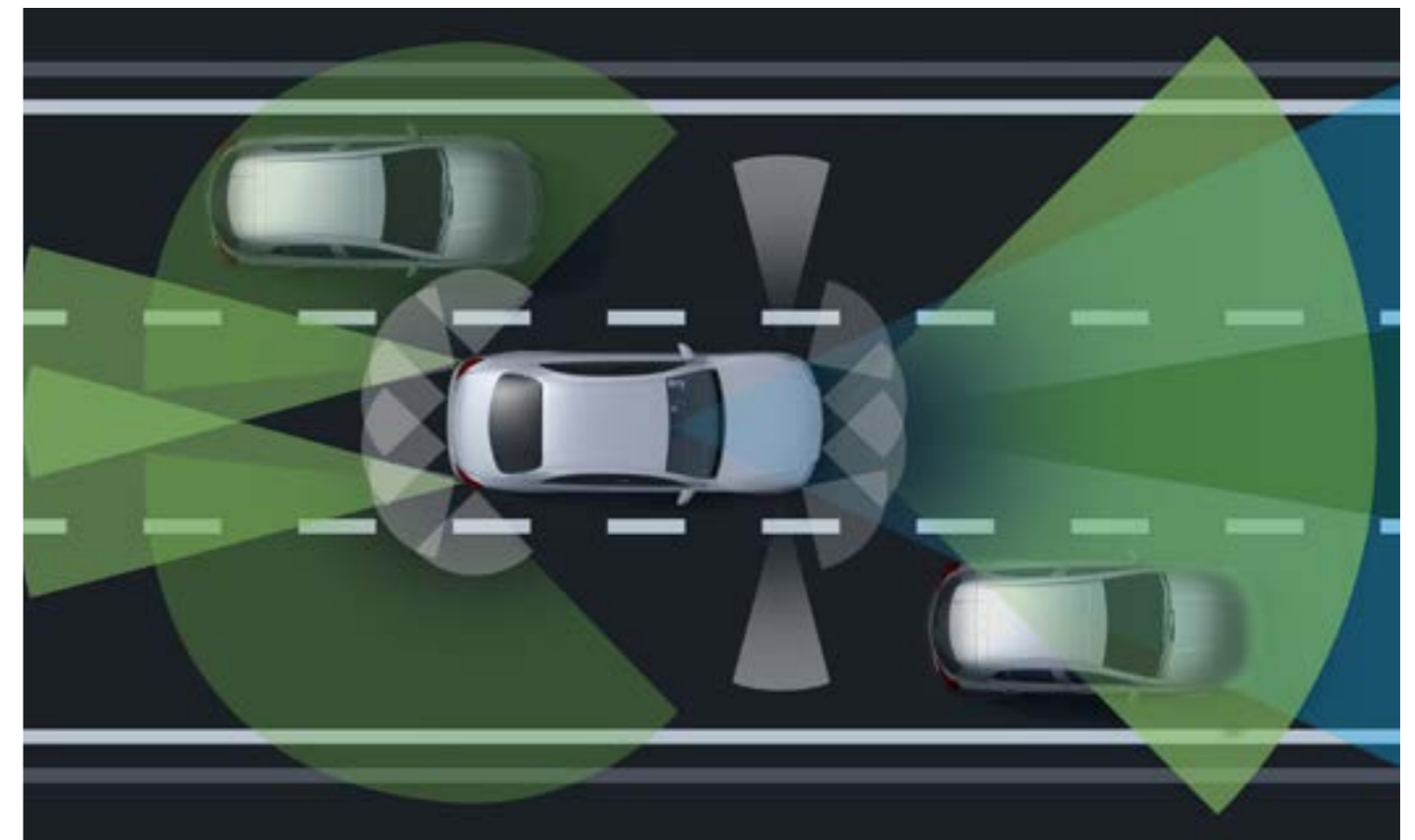
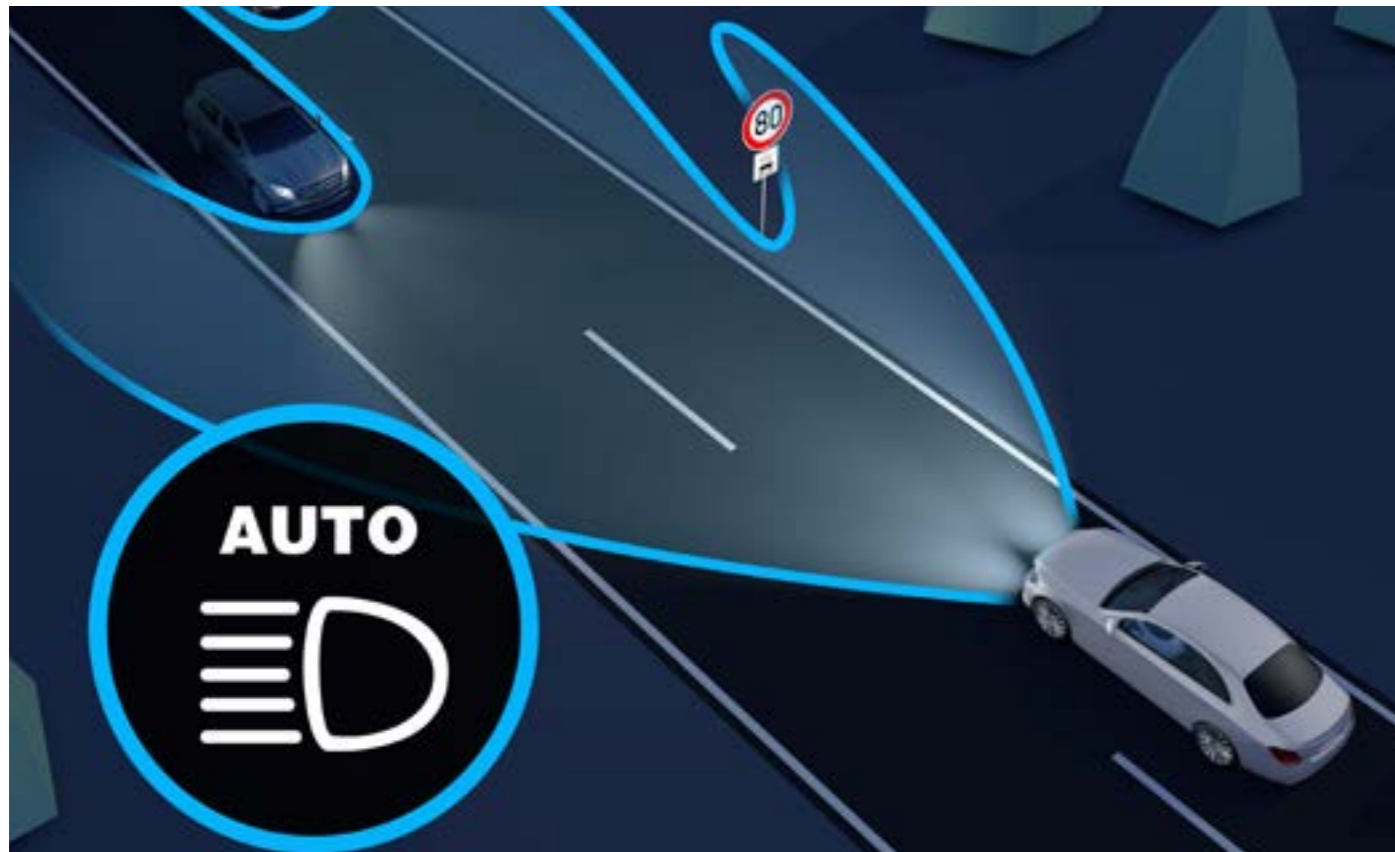




Safety

Adaptive Highbeam Assist Plus

Drive with permanent main beam. This virtually turns night into day and takes the strain out of driving. See very far without dazzling – Adaptive Highbeam Assist Plus works according to this motto. The intelligent system spares oncoming traffic or vehicles in front with highly precise LEDs: you do not need to keep on changing over to dipped beam.



Driving Assistance Package Plus

Taking you to your destination safely and relaxed: Thanks to modern, intelligently networked sensor systems you enjoy the various advantages of partially automated driving. Numerous driver assistance systems support you as the situation requires, warning you if there is a risk of collision and intervening if necessary – for the benefit of all road users.

Active Steering Assist

Active Steering Assist offers you tangible added comfort at the wheel: the system can use gentle steering interventions to support you in guiding your vehicle in the centre of the lane. This ensures a high degree of stress relief in particular on monotonous routes with a straight or slightly curved carriageway.

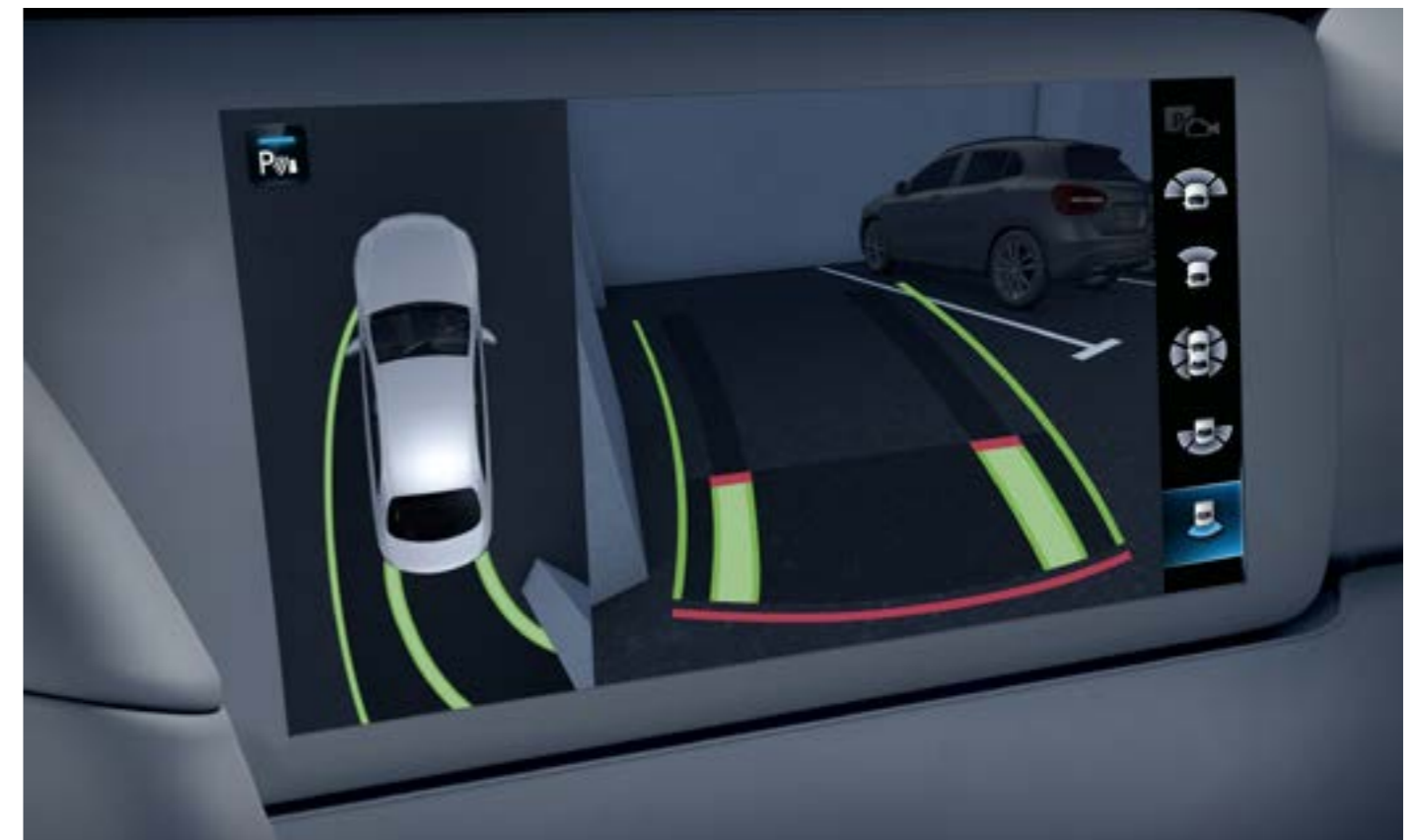
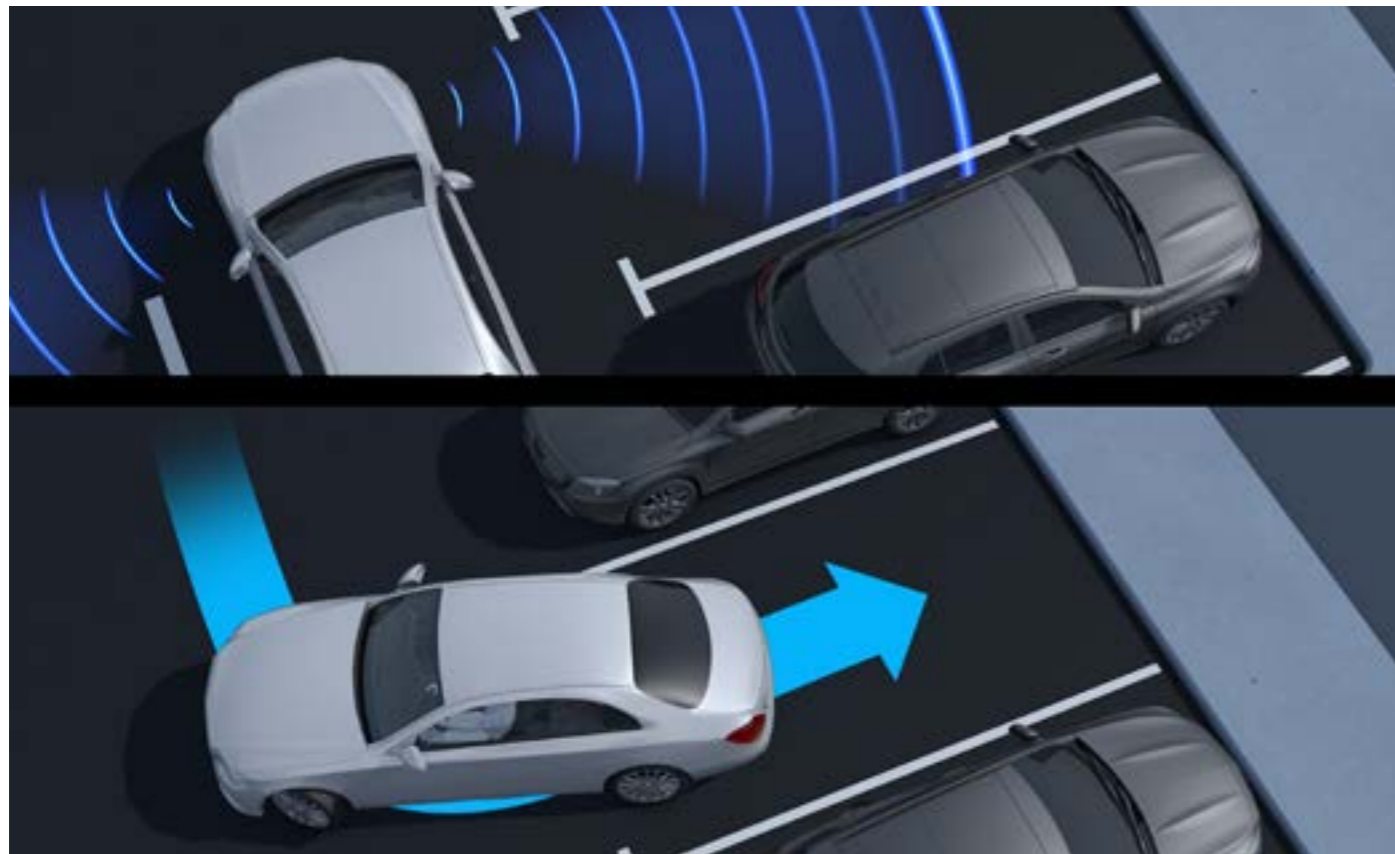
Active Lane Keeping Assist

Active Lane Keeping Assist is an attentive observer: If you unintentionally leave your lane or get dangerously close to other road users, the system can bring you back into your lane with the aid of a steering intervention. If you leave the lane nevertheless, an additional warning follows in the form of steering wheel vibrations.



Active Parking Assist

Turn the stress of parking in tight spaces into a smooth and effortless procedure. Active Parking Assist with PARKTRONIC is not only able to find parking spaces – it also helps you with reversing into a parking space. As part of this, it helps you with steering, and on vehicles with automatic transmission also with accelerating, braking and changing gear.

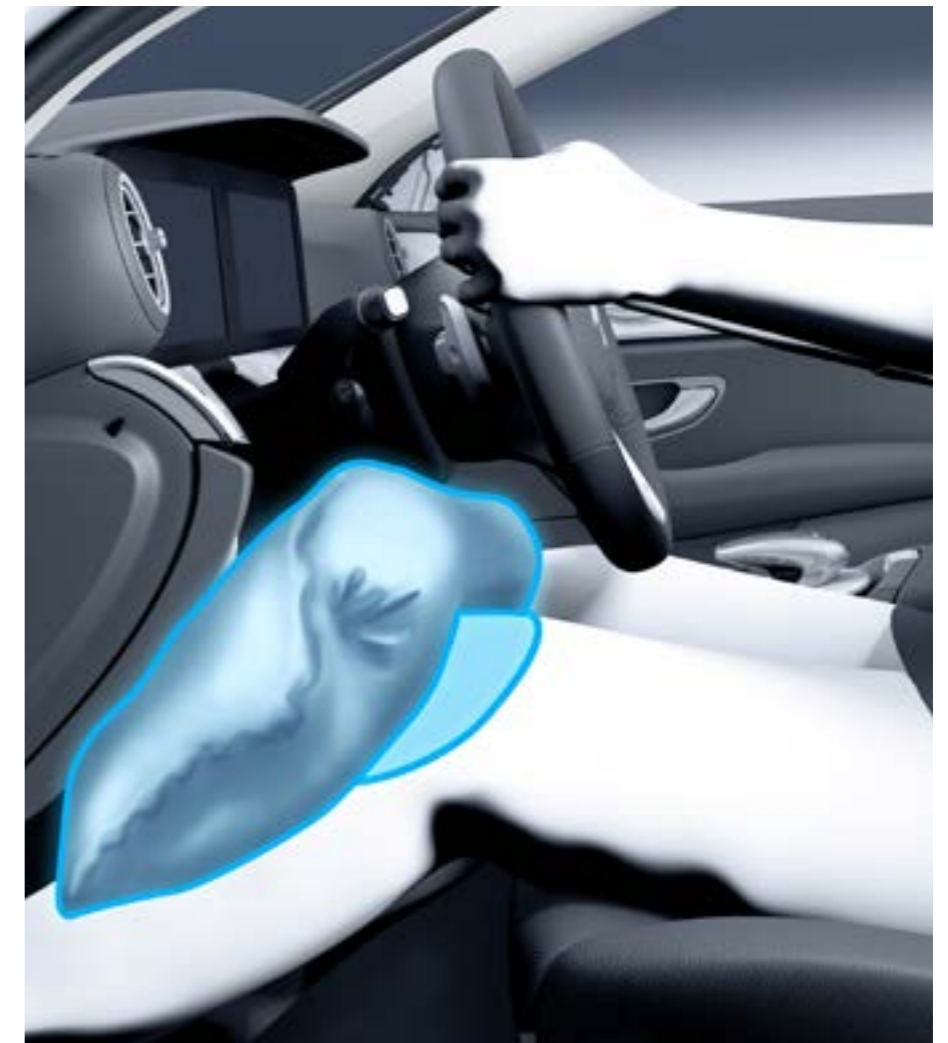


Parking Package with 360-degree camera

Exclusive parking service with all-round view: the Active Parking Assist with PARKTRONIC and 360° camera detects free parking spaces and marked parking spaces as you drive past. After selecting a parking space you can park in it effortlessly thanks to dynamic visualisation and audible feedback – or have the vehicle manoeuvre into the space with assisted parking.

9 air bags in EQS.

Side, window and knee.



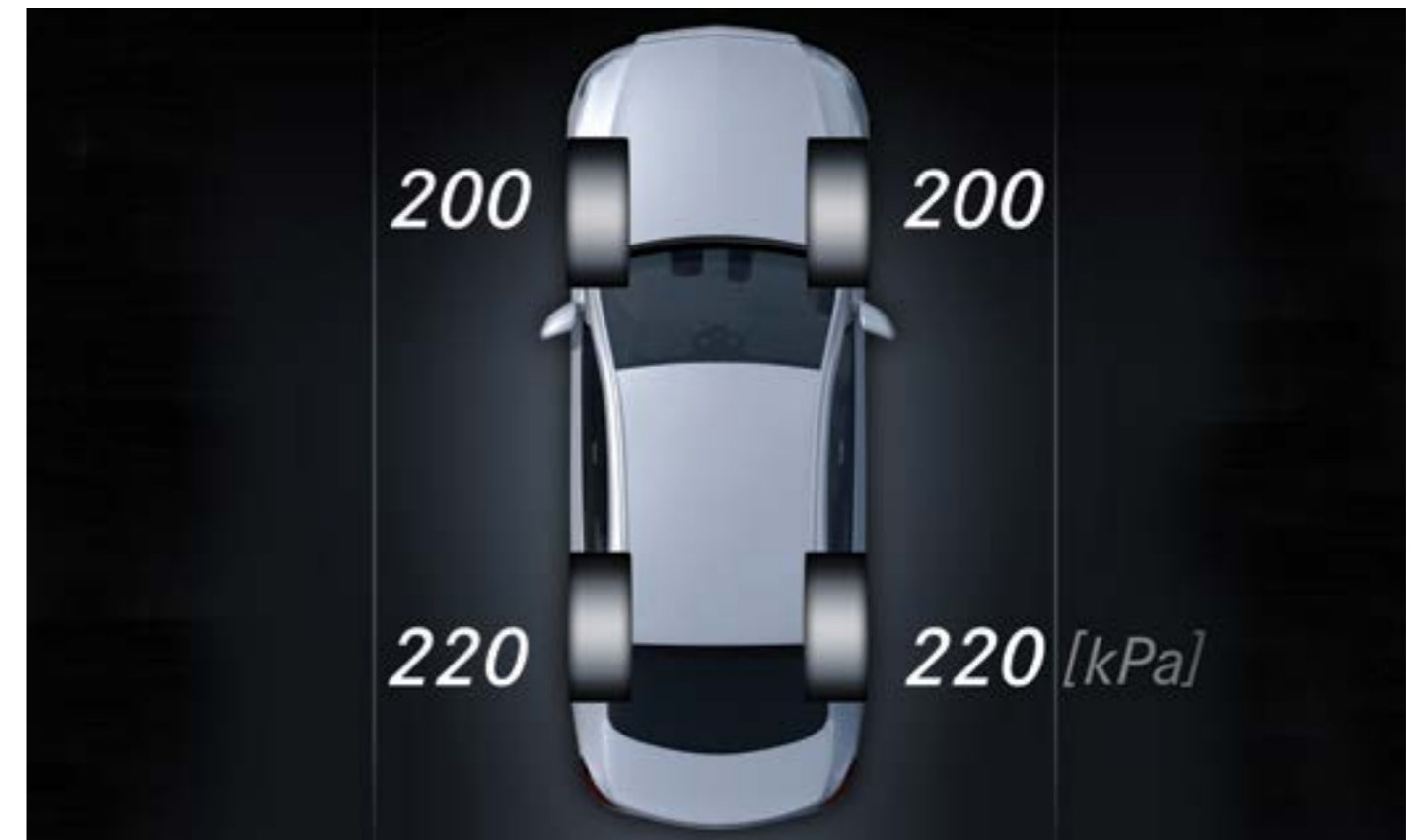
The side airbags in the rear protect the chest area on the outer rear seats in the event of a severe side impact. Together with the standard window airbags you therefore have optimum safety potential for preventing or lessening injuries. The air cushions slide between the side of the door and the occupant.

Window bags help to enhance safety: they can reduce the risk of a head impact against the side windows or against penetrating objects. In a severe side collision the respective side windows are extensively covered by the windowbag. Together with other safety systems they can reduce or lessen the severity of injuries.

The knee airbag protects your legs from contact with the steering column or the dashboard in a severe frontal crash. This can prevent or lessen the severity of injuries. The air cushion inflates in milliseconds and stabilises the whole body. This ensures that the entire restraint system including the seat belt work together optimally.

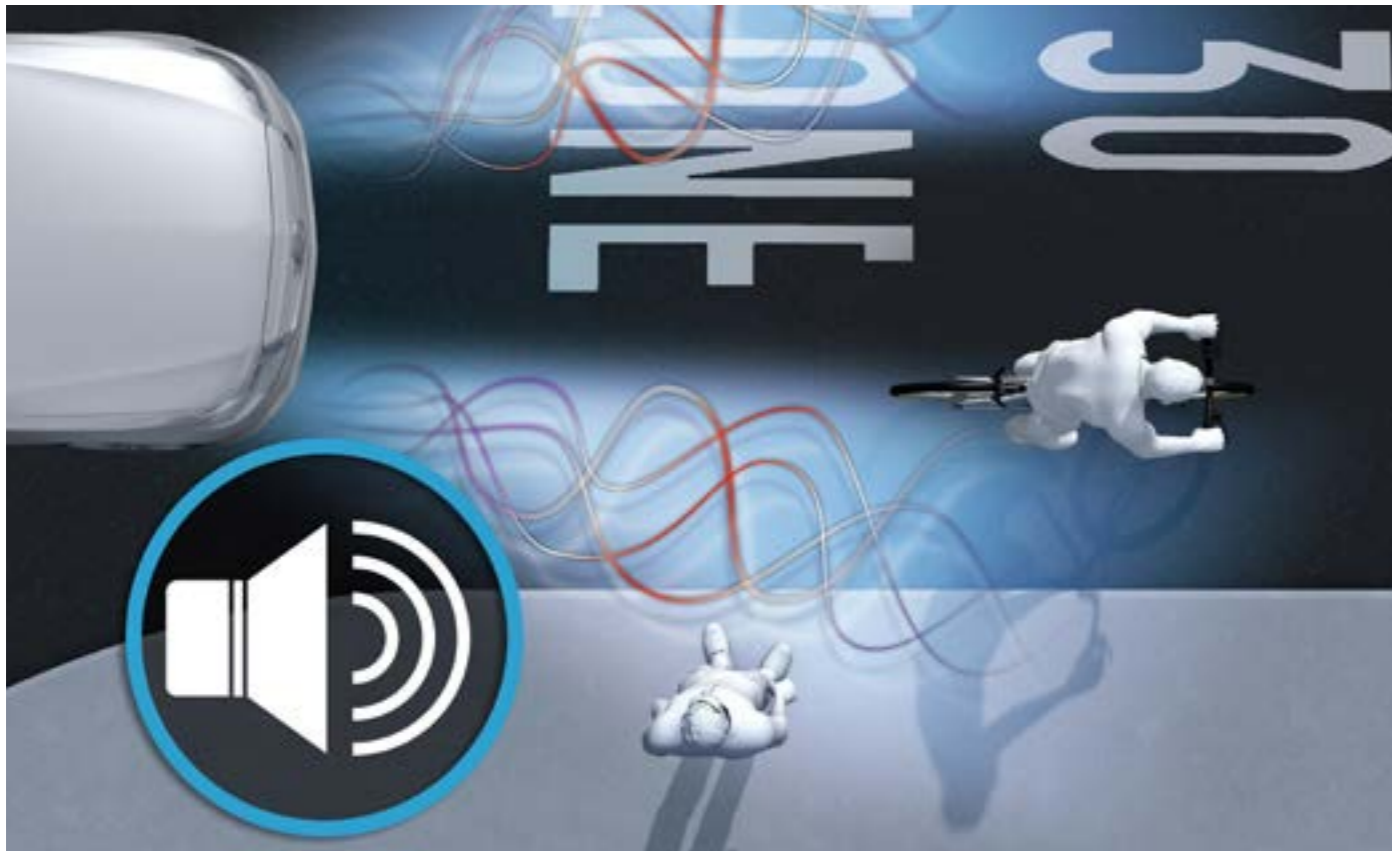
Pedestrian protection

If a pedestrian collides head-on with a vehicle travelling in the speed range 25 to 55 km/h, a sophisticated sensor system controlled by intelligent algorithms will trigger various actuators. These are pyrotechnical elements that raise the bonnet in the hinge area by about 80 mm. The increase in distance between the bonnet and the components inside the engine compartment creates an additional deformation space that, in certain accident situations, can help reduce the risk of injury to pedestrians.



Tyre pressure monitoring system

The system monitors the tyre pressure for you and provides you with a warning in the event of a drop in pressure. This way you can react more quickly to this hazardous situation. Too low a tyre pressure can also result in longer braking distances. When the control system notifies you, you should top up the air quickly. Correct tyre pressure additionally increases mileage.



Acoustic Vehicle Alert System

At speeds below approximately 25 kmph, special sound generators in the front and rear of the vehicle emit an EQ-specific sound to help pedestrians notice its approach. The sound changes volume and pitch as speed increases, starting to fade above 25 kmph as natural rolling noises overtake the need. The system can also emit a widely recognized repeating tone when Reverse gear is selected..

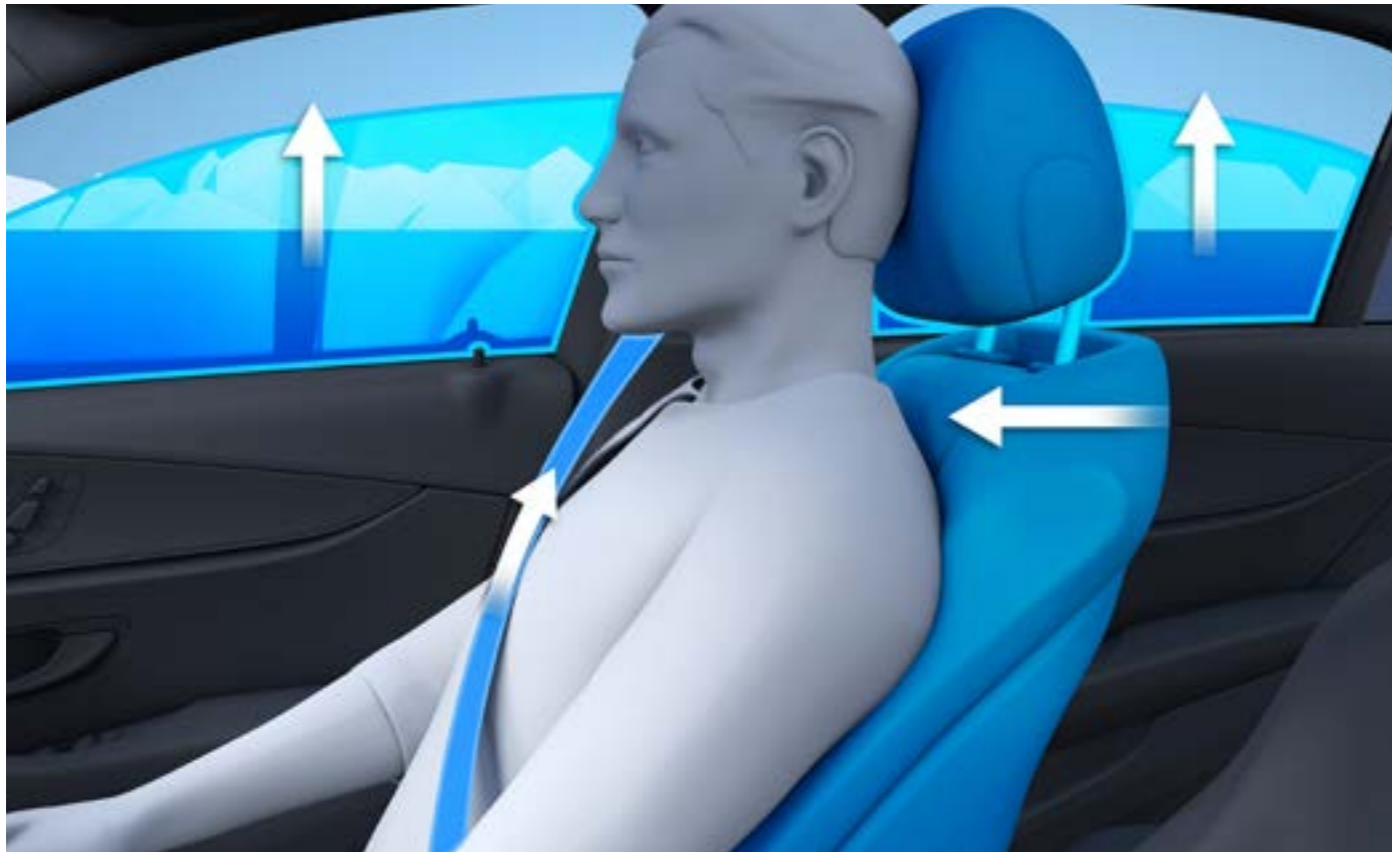
EQ-specific safety concept

The exclusive architecture of the EQS has been developed with safety considerations geared to its electric drivetrain and packaging. The battery is embedded within the underbody in a protective shell with extruded aluminum side members and a double-walled baseplate. An extensive testing regimen included not only the crash tests for which Mercedes-Benz is renowned but also special considerations for battery safety. Multi-parameter monitoring can initiate automatic emergency shutdown of the battery.



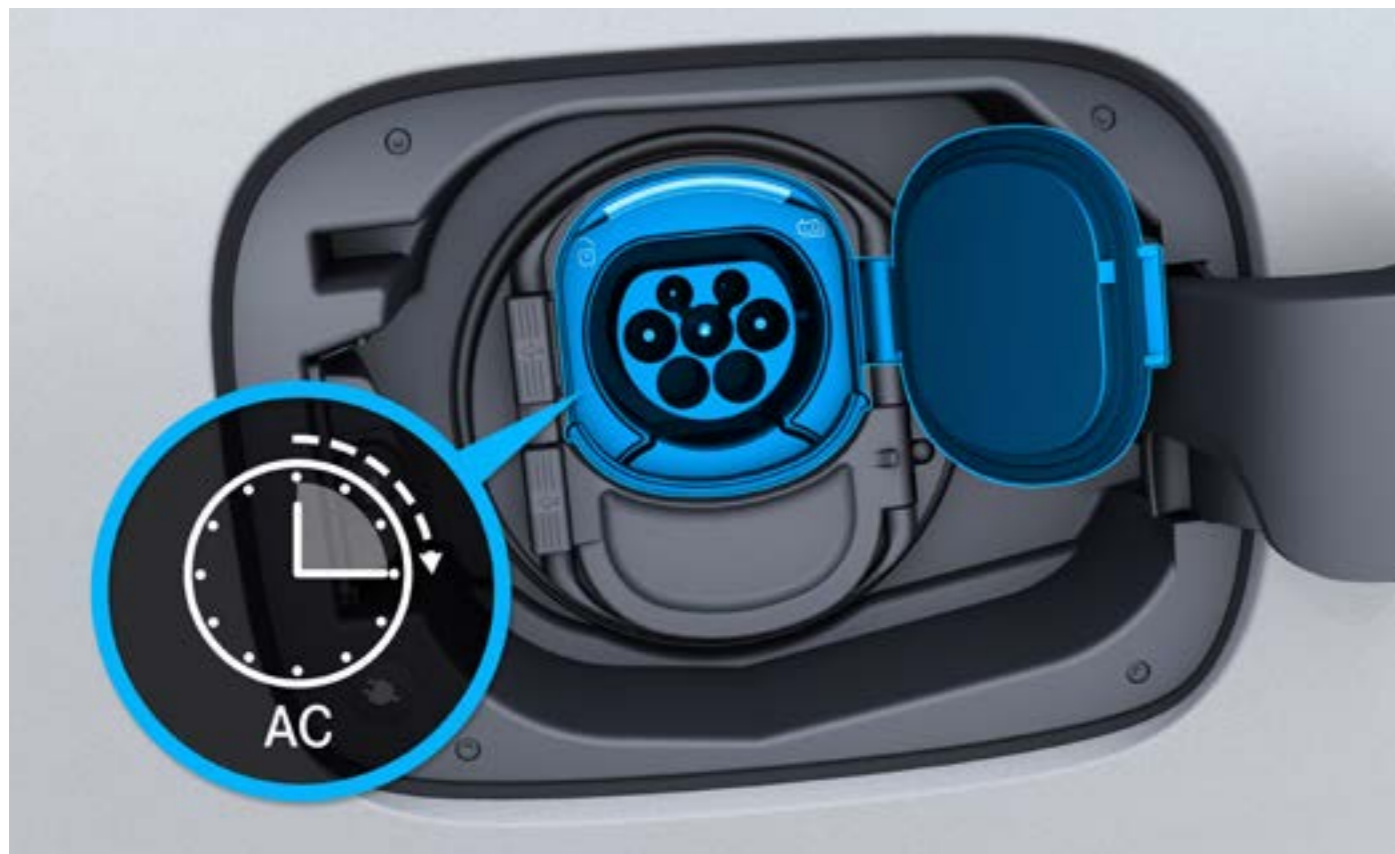
PRE-SAFE® system

The PRE-SAFE® system makes use of the time prior to an impending accident on your behalf. A host of measures are able to reduce the stress and strain to which you are exposed. The innovative PRE-SAFE® Sound generates a noise from the speakers which is able to trigger a natural protective reflex: this protects the inner ear by damping the accident noise.



PRE-SAFE® impulse side

PRE-SAFE® can prepare the occupants for a side-on collision and reduce the risk of injury. Like a bodyguard, it pushes the driver or front passenger away from the danger zone towards the inside.



Alternating current charging system (AC charging)

More flexibility: with the powerful AC charging system you can charge your Mercedes-EQ vehicle quickly and simply at up to 11 kW (3-phase). In addition to the wallbox at home, you can also connect your vehicle to a host of public charging stations. These mostly provide alternating current – so just like household sockets.

Direct current charging system (DC charging)

For optimum charging speed at up to 200 kW and therefore a high level of convenience. Fast charging stations, such as those from IONITY for example, provide the necessary direct current for your high-voltage battery. Therefore, the direct current charging system makes a range suitable for long journeys available in the shortest time.





The Mercedes-AMG EQS 53 4MATIC+



Click here to experience.



AMG body styling

Bold and muscular yet flowing, AMG lower bodywork enhances both aesthetics and aerodynamics. The deep front apron features a splitter and air intake surrounds with thin chrome detailing. Flared side sills bridge the wheel arches and visually hug the road. A prominent lip spoiler, vertical breakaway edges and a black lower diffuser bring the rear to bold completion.

Black Panel with AMG vertical bars

The “Black Panel” front end design advances the legendary and widely recognized AMG-specific grille to a new aesthetic. Vertical bars and the large central emblem are set in a three-dimensional display of brilliant chrome against the gloss-black background. Atop the panel, a full-width lightband bridges the sleek headlamps.



Mercedes-AMG interior

Sporty-futuristic claim: the AMG Performance steering wheel in nappa leather, flattened at the bottom, emphasises the dynamic character of the EQS. High-quality sports seats with AMG-specific seat graphics enhance driving pleasure with their very good lateral support. The impressive MBUX Hyperscreen rounds off the pioneering aesthetics of the Mercedes-AMG interior.



Sports seats

The optimum combination of sport and comfort: the slim sport seats are reminiscent of integral seats, and optimise lateral support for dynamic driving. They also provide a full measure of day-to-day comfort. A design highlight: continuous contour lighting. Optionally you can enhance the seats with seat climate control and high-grade outer covers.



AMG Performance steering wheel in Nappa leather

A twin-spoke design makes the AMG Performance steering wheel more enjoyable than ever. In addition to its contoured side grips, flat-bottom design, and aluminum AMG recuperation paddles, each spoke places its own Touch Control Buttons for more intuitive access by feel alone. AMG DRIVE UNIT performance controls and a heated rim are also standard.



AMG floor mats

Plush, carpeted floor mats feature leather-look borders and embroidered AMG logos.



AMG illuminated door sills with "AMG" lettering and with exchangeable cover

Getting in and out becomes an experience in itself. The high-quality stainless steel sill panels are illuminated with "AMG" lettering. Thanks to the interchangeable cover, you can swap the door sill panels for other attractive genuine parts from Mercedes-AMG or Mercedes-Benz.



AMG DYNAMIC PLUS package

The AMG DYNAMIC PLUS package brings maximum, AMG-typical driving pleasure to the electric drive of your EQS 53 4MATIC+. It combines selected performance extras such as the noticeable boost for RACE START and the thrilling AMG Sound Experience Performance. These all add up to an even more emotional driving experience in your Mercedes-AMG EQS.

AMG Track Pace

AMG TRACK PACE transforms your AMG vehicle into your virtual race engineer. With the aid of lap, sector and acceleration times plus selected live telematics data, you can analyse and improve your driving skills on cordoned-off tracks in a purposeful manner.



Alloy



53.3 cm (21-inch) AMG cross-spoke light-alloy wheels

53.3 cm (21-inch) AMG cross-spoke light-alloy wheels, aerodynamically optimised, painted in tantalite grey with a high-sheen finish, with 275/40 R 21 tyres on 10.0J x 21H2 ET47 wheels

Fabric



MICROCUT microfibre roof liner in black

AMG high-performance ceramic composite braking system

The AMG ceramic high-performance composite braking system (front axle) is the perfect counterpart to the powerful engine of your AMG. Even under extreme stress, it stands for short stopping distances, precise control and maximum durability. Compared with the standard brakes, it is characterised by low weight and thus enhances agility.



Upholstery



Neva Grey/ Balao Brown
(Available with EQS 580 4MATIC)



Macchiato Beige/ Space Grey
(Available with EQS 580 4MATIC)



AMG Nappa Leather Black/ Space Grey
(Available with Mercedes-AMG EQS 53 4MATIC+)

Trim



Brown open-pore walnut wood trim
(Available with EQS 580 4MATIC)



AMG carbon-fibre trim and centre console
(Available with Mercedes-AMG EQS 53 4MATIC+)

Paintwork

(Available with EQS 580 4MATIC)

Obsidian Black



Graphite grey



Diamond white bright



Sodalite blue



High-tech silver



Paintwork

(Available with Mercedes-AMG EQS 53 4MATIC+)

Polar White



Obsidian Black



Nautic Blue



Graphite Grey



Paintwork

(Available with Mercedes-AMG EQS 53 4MATIC+ Designo)

Manufaktur Hyacinth Red



Manufaktur Diamond White Metallic



Manufaktur Selenite Grey Magno



Alloy



50.8 cm (20-inch) 5-spoke light-alloy wheels, aerodynamically optimised, painted in black with a high-shine finish
(Available with EQS 580 4MATIC)



53.3 cm (21-inch) AMG cross-spoke light-alloy wheels aerodynamically optimised, painted in matt black and rim flange with a high-shine finish
(Available with Mercedes-AMG EQS 53 4MATIC+)



53.3 cm (21-inch) AMG cross-spoke light-alloy wheels, aerodynamically optimised, painted in tantalite grey with a high-shine finish
(Available with Mercedes-AMG EQS 53 4MATIC+)

Interior Features

	EQS 580 4MATIC	EQS 53 4MATIC+
Rear axle steering with large angle	●	●
Rear back rest adjustment and head restraints	●	●
Adaptive rear compartment lighting	●	●
Electrically adjustable left driver seat w. Memory	●	●
Electrically adjustable right driver seat w memory	●	●
Memory package (driver seat, strg. Col., Mirror)	●	●
Folding rear seat backrests	●	●
AMG driver's package		●
AMG track pace		●
Armrest rear premium	●	●
Multi-contour seat front with massage function	●	●
Climatised front seats	●	●
Climatised rear seats	●	●
Panoramic sliding/glass sunroof	●	●
Gearshift on steering wheel - galvanized	●	●
Comfort headrest driver and frontpassenger	●	●
Comfort headrest rear	●	●
Head-up-display advanced (hud)	●	●
MBUX rear tablet	●	●
Airmatic dual control / air suspension semi-active	●	●
Thermotronic automatic climate control	●	●
Ambient lighting with projection of brand logo	●	●
Stowage compartment beneath centre console	●	●

● Standard

Interior Features

	EQS 580 4MATIC	EQS 53 4MATIC+
Vehicle. XEV-charging box combo2 / type2	●	●
Easy-pack load compartment cover	●	●
USB-package	●	●
MBUX interior assist in the rear	●	●
AMG carbon-fibre centre console		●
Comfort seats	●	●
Burmester® surround sound system	●	●
MBUX hyper screen	●	●
Handsfree access	●	●
Interior light assy.	●	●
Ambiance lighting connected light	●	●
Keyless - Go	●	●
Ambiance lighting premium	●	●
Wireless telephone charging front	●	●
Wireless phone charging in back	●	●
Comfort seat heating front		●
ENERGIZING AIR CONTROL Plus with HEPA filter	●	●
Charging cable mode3 (type 2, 3x16a, 11kw) 5m	●	●
Tyre-change toolkit	●	●
Tyrefit	●	●
Acoustic ambient protection	●	●
DYNAMIC SELECT	●	●
Vehicle key in black with rose gold	●	●

● Standard

Interior Features

	EQS 580 4MATIC	EQS 53 4MATIC+
Charging cable for domestic socket, 8 m, straight	●	●
Multifunction steering wheel in nappa leather		●
Avantgarde-package interior		●
Driving assistance package plus	●	●
Parking package with 360-degree camera	●	●
Mirror package	●	●
Velour floor mats	●	
AMG dynamic plus package		●
Front passenger seat with seat occupancy sensor		●
AMG floor mats		●
AMG illuminated door sills with "AMG" lettering and with exchangeable cover		●
Red-painted brake callipers		●
AMG steering wheel buttons		●

● Standard

Exterior Features

	EQS 580 4MATIC	EQS 53 4MATIC+
Electrically folding exterior mirrors	●	●
AMG bodystyling		●
Easy-pack tailgate	●	●
Avantgarde-package exterior	●	
Digital light	●	●
LM-wheel 5-spoke design 20" all round	●	
Step-board embellisher illuminated	●	
AMG spoiler lip		●

● Standard

Technology Features

	EQS 580 4MATIC	EQS 53 4MATIC+
MBconnect - services for navigation	●	●
MBconnect - EV features (hermes)	●	●
Smartphone integration	●	●
Smartphone integration apple carplay	●	●
Smartphone integration android auto	●	●
MB-connect MBUX entertainment	●	●
Biometric user id (fingerprint)	●	●
Sound customization	●	●
Remote services plus	●	●
Hard-disc navigation	●	●
Preinstallation for live traffic information	●	●
360° Camera	●	●
Connect 20 premium+ (NTG7)	●	●

● Standard

Safety Features

	EQS 580 4MATIC	EQS 53 4MATIC+
DISTRONIC plus	●	●
Active parking assist	●	●
Active lane departure-assistant (camera)	●	●
Automatically dimming interior and exterior mirror	●	●
Rear sensors for the lane departure assistant	●	●
Active steering assist	●	●
Evasive manoeuvre support	●	●
Window bag	●	●
Pre-safe impulse side	●	●
Sidebag in rear left and right	●	●
Kneebag	●	●
Presafe	●	●
Mercedes-benz emergency call system	●	●
Tyre pressure monitoring system (tpms)	●	●
Adaptive highbeam assist plus	●	●
Spare wheel (minispare) roped up	●	●

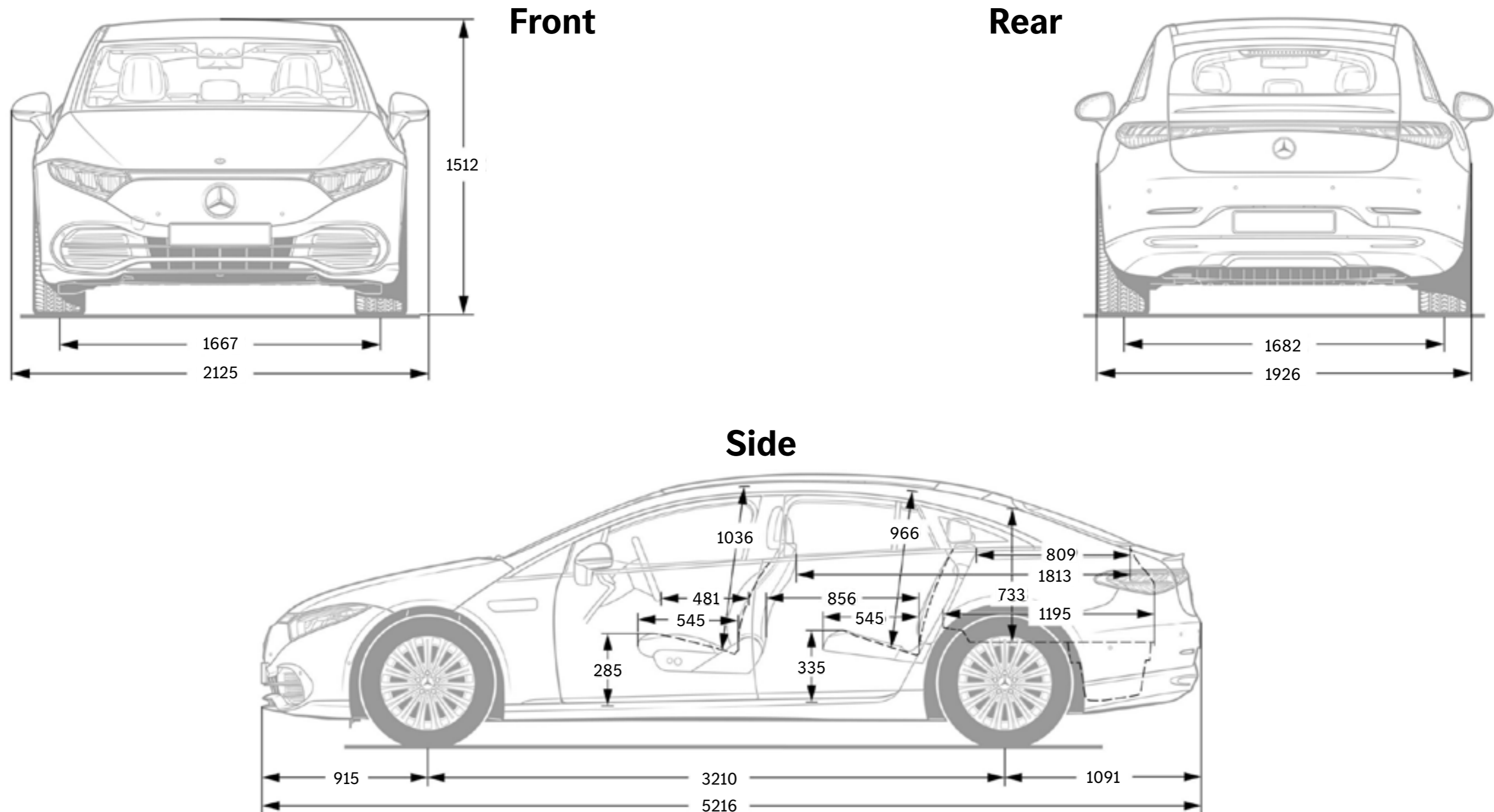
● Standard

Technical Data

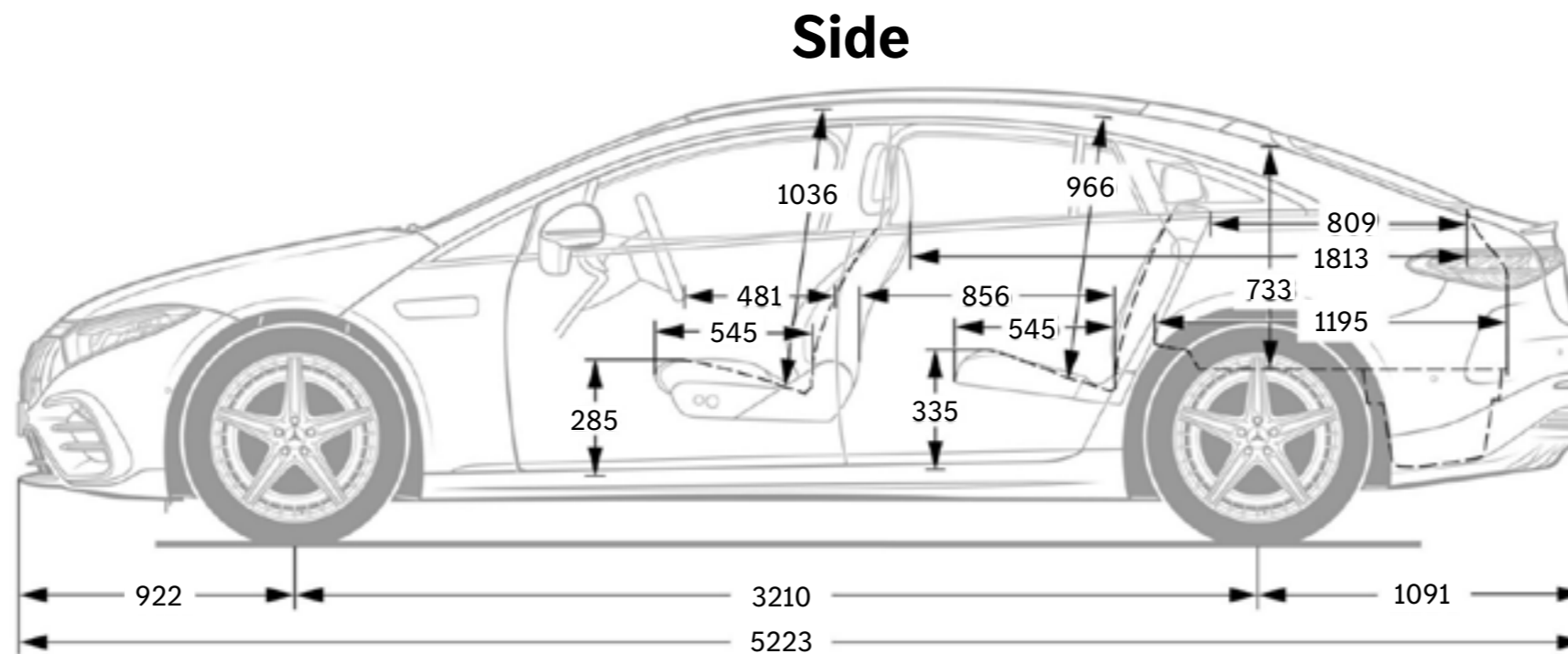
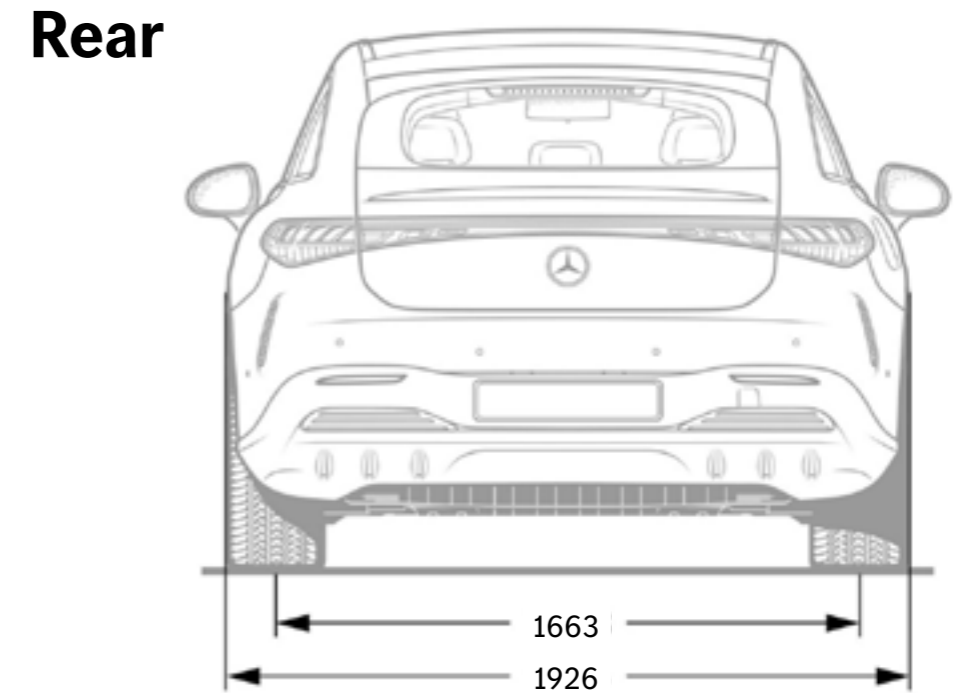
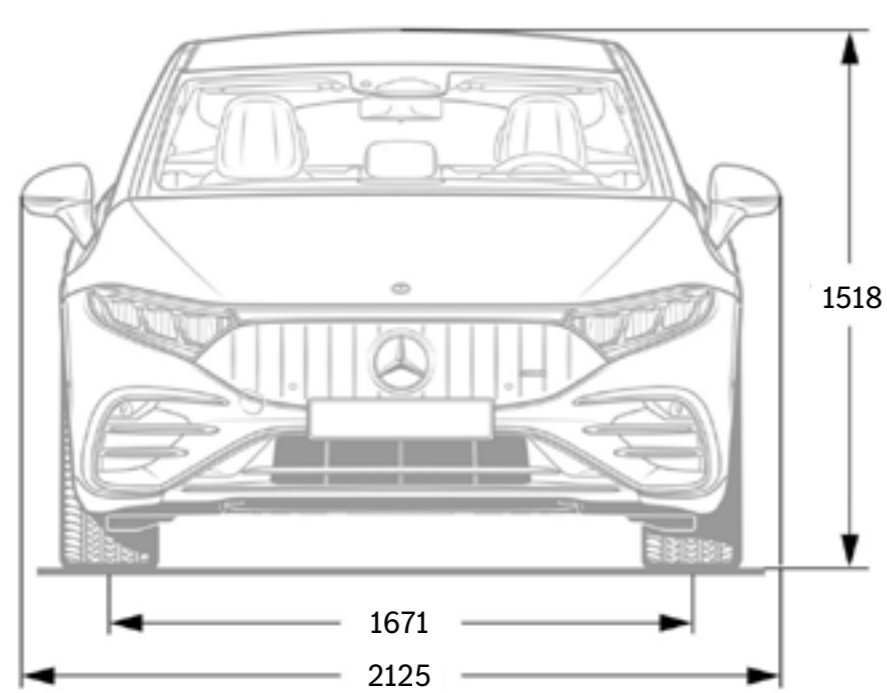
	Mercedes-AMG EQS 53 4MATIC+	EQS 580 4MATIC
Electric Motors	Two permanently agitated synchronous motors (PSM)	Two permanently excited synchronous motors (PSM)
Max. output	560 kW	385 kW
Max. torque at transmission output	1020 Nm	855 Nm
Drive system layout	Fully variable AMG Performance 4MATIC + all-wheel drive	All-wheel drive
Acceleration 0-100 km/h	3.4 s	4.3 s
Maximum speed	250 km/h	210 km/h
Battery energy content, usable (WLTP)	107.8 kWh	107.8 kWh
Rated voltage	396 V	396 V
Max. recuperation power	300 kW	290 kW
Onboard charger (standard)	11/22 kW	22 kW
Max. DC charging power	200 kW	200 kW
Combined power consumption (WLTP)	23.9-21.5 kWh/100 km	15.1 kWh/100 km
Range	526-580 km	857 km Range as per ARAI*
Kerb weight	2655 kg	2585 kg
Cd value	0.23	0.20

The WLTP Range is up to 677 km*.

EQS 580 4MATIC

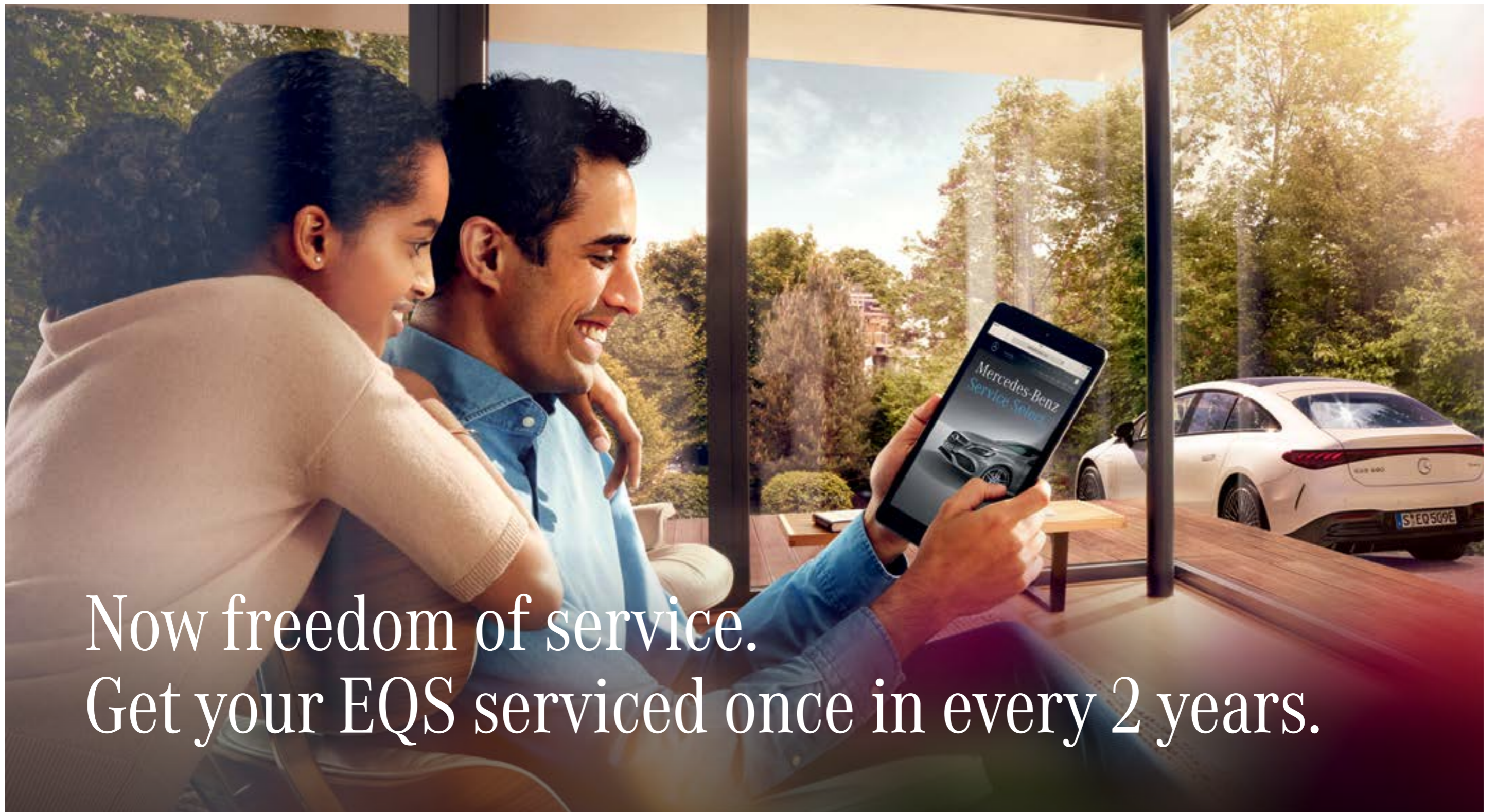


Mercedes-AMG EQS 53 4MATIC +



*Please read the disclaimer

*All dimensions are in mm



Now freedom of service.
Get your EQS serviced once in every 2 years.



My Mercedes. My Service

Advance Assurance Program

Extending your warranty coverage

With Advance Assurance Program, experience complete peace of mind. While this Extended Warranty Program kicks in the moment your standard 3 years warranty comes to an end, it can be extended further up to 6 years at a nominal price. Also, it comes with a bouquet of privileges for a worry-free time with your Star.

STAR EASE

Delivering the best-in-class value

Servicing your Star does not get any better than this. With the STAR Ease Maintenance Packages, pay a defined cost of maintenance based on the model, contract period and mileage and say goodbye to spending on service every time. Plus, enjoy exclusive features like priority handling, shorter waiting time and quicker processes.

My Mercedes. My Service

MOBILO

Providing you 24x7 mobility support

Your vehicle comes with Mobilo which provides round-the-clock on-road assistance service. Mobilo comes as a standard for 3 years and can be extended further up to 8 years at a nominal cost. This service offers privileges like vehicle towing facility, replacement vehicle, hotel accommodation, just to name a few.

Digital Service Drive

Ensuring convenience and transparency of service.

Servicing your Star is the last thing you will ever have to worry about. We provide transparent, convenient and hassle-free service. Our customer-friendly service features work around your busy schedule so that you have one less thing to focus upon.



My Mercedes. My Service

Mercedes-Benz Genuine Parts

Now with 2 years* of warranty

Mercedes-Benz Genuine Parts are crafted to the state-of-the-art standards of Mercedes-Benz, protecting your vehicle's performance while maintaining the style, comfort and safety, for the years to come. Also, they come with a warranty of up to 2 years, ensuring you a peaceful ownership experience with your Star.

Premier Express*

Because we value your time as much as you do.

Life gets busy and so we have designed Premier Express, our vehicle care service to help you get in and out quickly. While the visit will be brief, the service offered by our technicians will be comprehensive and complete. All to ensure your Mercedes-Benz is running for miles to come.

My Mercedes. My Service

Mercedes-Benz Approved Tyres and Rims

Ensuring every ride is a safe and joyful one

Maximise the safety and comfort of your Star with Mercedes-Benz approved tyres and rims. While the Mercedes-Benz approved tyres are designed to optimally match your car's performance, the Mercedes-Benz approved rims are designed to lend an exceptional style to the exterior of your Star and are also engineered for optimal performance.



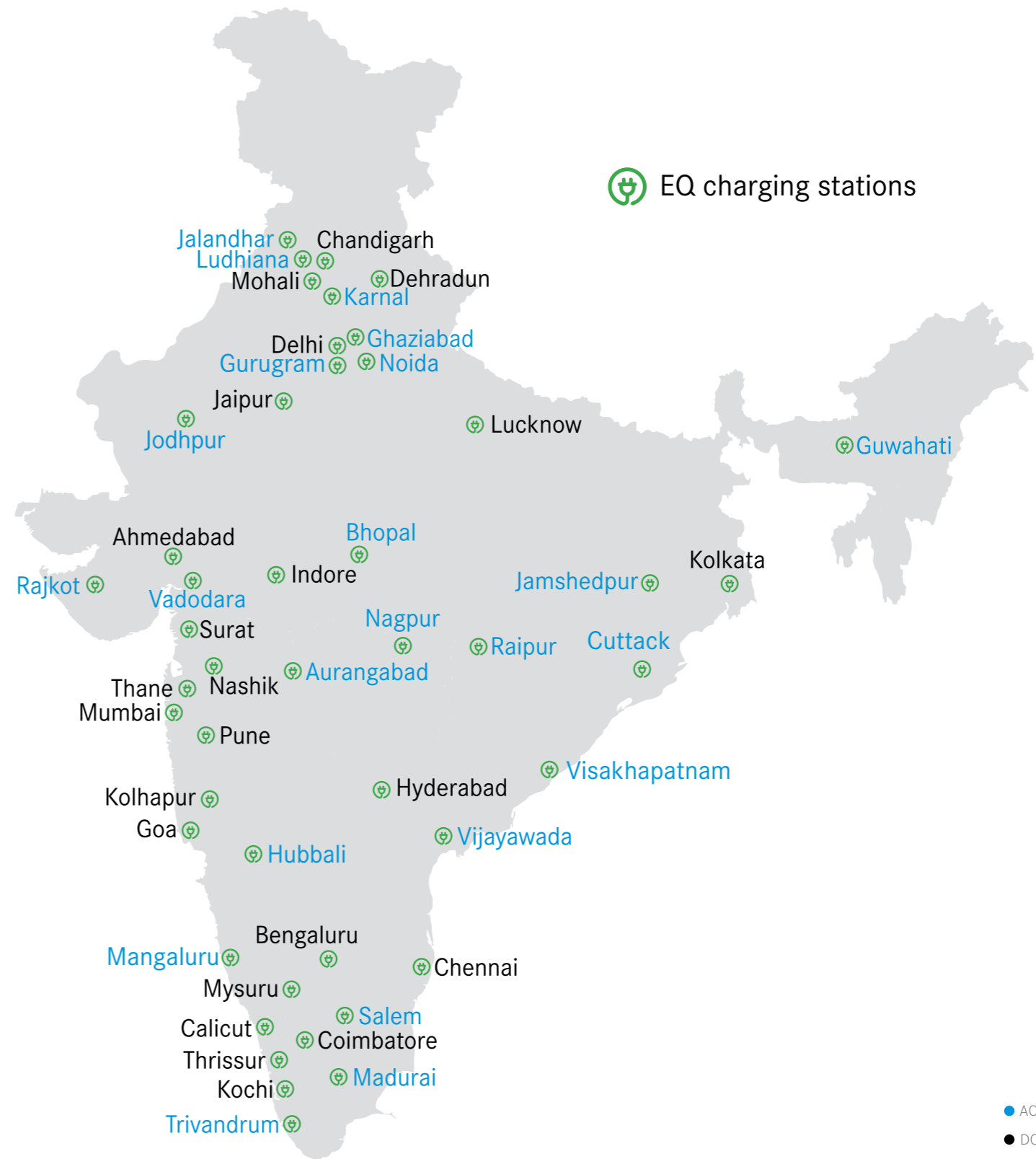
EQ Charging Stations across Nationwide Franchise Partners.

What's in it for you.

Biggest Ultra-Fast charging network in India.
 Exclusive for Mercedes-Benz Electric Cars.
 Complimentary service till the end of 2023.
 24 x 7 facility available.

AC Charging System	DC Charging System	
Wallbox	Fast Charging	
100+ locations	34 locations	
11 kW	60 kW	180 kW
	21 locations	13 locations

Your Mercedes-Benz electric car comes with a complimentary Mercedes-Benz Wallbox charger.





Mercedes-Benz India Private Limited: E-3, MIDC Chakan - Phase III, Chakan Industrial Area, Kuruli & Nighoje, Tal: Khed, Pune - 410 501 (India) Toll free No.: 0008000501888. e-mail: cs.ind@cac.mercedes-benz.com, website: www.mercedes-benz.co.in Please note: This brochure is intended for general information, description and illustration of the Product including optional functions and equipment and may not be specific to a Product since specification of a product may change from time to time. Optional features, functions and equipment etc. may not be present in the Standard or Variant Product or Special Edition Product. Further, Standard specifications of a product may also vary from time to time. Colours may differ from those shown in pictures in the brochure. Mercedes-Benz India reserves the right to make changes without prior notice, in design, colours, materials, components, equipment, specifications, features, functions, make and models etc. The information given in this brochure shall be regarded as accurate at the time of launch and may vary thereafter due to any developments or any other reason. Interested customers should reach out to the Authorised Franchise Partner for further information on the exact specifications, features of the product.

Images shown are for representation purposes only. Some of the vehicles in the Brochure are left hand drive wheel. However, Mercedes-Benz India only manufactures and sells vehicles as per the applicable motor vehicle regulations in India. All vehicles sold by Mercedes-Benz Authorized Franchise Partners shall be with right hand drive wheels only. All title, ownership rights and intellectual property rights in and relating to this brochure/magazine or publication material or any copies thereof including but not limited to copyright, logos, names, trademarks, service marks, design, text, images, links, concepts and themes are owned by Mercedes-Benz Group AG and/or its subsidiaries collectively or used under authorised license by the Mercedes-Benz Group AG. Any reproduction, transmission, publication, performance, broadcast, alteration, license, creation of derivative works or other use in whole or in part in any manner without the prior written consent of Mercedes-Benz India Pvt. Ltd is strictly prohibited. Please note that certain services are offered free of cost for a period of three (03) years and may be chargeable at the expiry of three (03) years from the date of activation of such services. If you wish to continue using those services, you may renew the same through Mercedes Me Store (as and when it is available). Please get in touch with your preferred Franchise Partner for more details. Mercedes-Benz cars: The EQS 580 4MATIC meets Bharat Stage VI equivalent emission norms.
CIN - U34102PN1994PTC083160